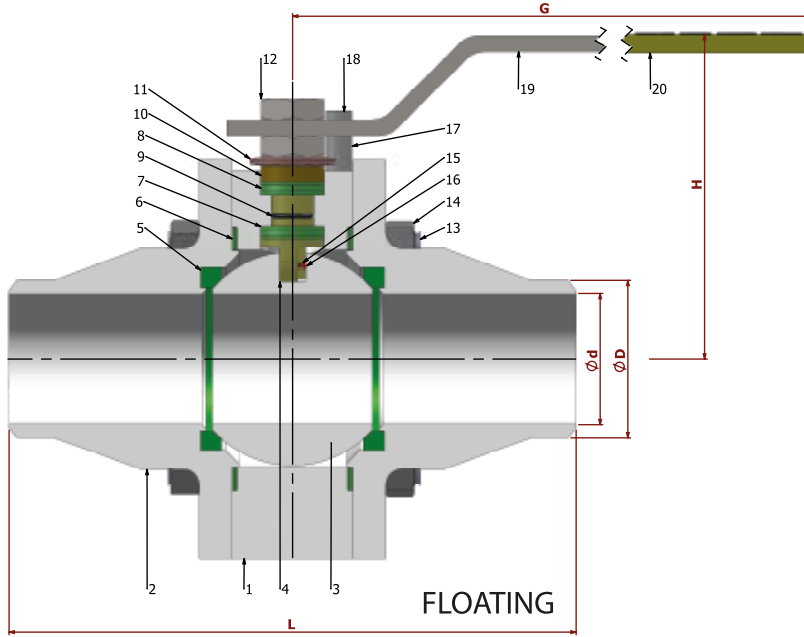


TİP TYPE
 BKV-KA-RG

DN 15 - DN 200

CLASS 150 / 300 (PN 20 / 50)

 ÇELİK
 STEEL

 REDÜKSİYON GEÇİŞLİ / ALIN KAYNAKLI
 REDUCED BORE / BUTT WELD


| PARÇA NO ITEM NO | PARÇA ADI ITEM DISCRPTION | MALZEME MATERIAL | | |
|---------------------|------------------------------|-------------------------|-------------------|------------------|
| 24 | ALT YATAK TEFLONU | BALL TIGHTNESS ELEMENT | PTFE-Teflon | PTFE-Teflon |
| 23 | ALT YATAK O-RING | SPINDLE O-RING | VİTON | VİTON |
| 22 | ALT YATAK TEFLONU | BALL TIGHTNESS ELEMENT | PTFE-Teflon | PTFE-Teflon |
| 21 | ALT YATAK | TRUNNION | ASTM A 105 | 1.4301.- 1.4401. |
| 20 | PLASTİK KAPLAMA | PLASTIC COVERING | PVC | PVC |
| 19 | KÜRE HAREKET KOLU | BALL ACTION HANDLE | st 37 | 1.4301. |
| 18 | ÇİVATA | BOLT | ST 42 Gal. | 1.4301.- 1.4401. |
| 17 | STOPLAMA PİMİ | STOPPING PIM | ST 42 Gal. | 1.4301. |
| 16 | ANTİSTATİK KÜRE | ANTİSTATİK BALL | 1.4301. | 1.4301.- 1.4401. |
| 15 | ANTİSTATİK YAY | ANTİSTATİK SPRING | 1.4301. | 1.4301.- 1.4401. |
| 14 | SOMUN | NUT | 5.6. | 1.4301.- 1.4401. |
| 13 | SAPLAMA | STOPPING PIM | 4140 - 514t | 1.4301. |
| 12 | KONTRA SOMUN | COUNTER NUT | 5,6 Gal. | 1.4301. |
| 11 | ÇANAK PUL | BOWL WASHER | 50 Cr V 4 | 1.4301. |
| 10 | BASKI RİNGİ | PRESSURE RING | MS 58 | 1.4301.- 1.4401. |
| 9 | MİL O-RİNG | SPINDLE O-RING | VİTON | VİTON |
| 8 | BURGMAN GRAFİT O-RİNG | BURGMAN GRAPHITE O-RING | EN 1514-1 | EN 1514-1 |
| 7 | BOĞAZ SIZDIRMAZLIK TEFLONU | NECK TIGHTNESS ELEMENT | PTFE-Teflon | PTFE-Teflon |
| 6 | GÖVDE SIZDIRMAZLIK TEFLONU | BODY TIGHTNESS ELEMENT | PTFE-Teflon | PTFE-Teflon |
| 5 | KÜRE SIZDIRMAZLIK TEFLONU | BALL TIGHTNESS ELEMENT | PTFE-Teflon | PTFE-Teflon |
| 4 | HAREKET MİLİ | ACTION SPINDLE | 1,4021 | 1.4301.- 1.4401. |
| 3 | KÜRE | BALL | 1.4301 / 1.4086 | 1.4305.- 1.4401. |
| 2 | KAPAK | COVER | A 216 WCB / A 105 | 1.4301.- 1.4401. |
| 1 | GÖVDE | BODY | A 216 WCB / A 105 | 1.4301.- 1.4401. |

 Dizayn Design : API 6D / ISO 14313
 Boyut Dimensions : ASME B 16.10
 Bağlantılar Connections : ASME B 16.25
 Çalışma Basıncı Working Pressure : CLASS 150 (PN 20)
 CLASS 300 (PN 50)
 Çalışma Sıcaklığı Working Temperature : -29 °C / +180 °C

 Kullanım Alanları Usege Areas :
 Doğalgaz, LPG-LNG, Fuel-Oil, Basıncılı Hava ve Diğer Gazlar
 Natural Gas, LPG-LNG, Fuel-Oil, Pressurized Air and Other Gases etc.

BOYUT ve BAĞLANTI ÖLÇÜLERİ DIMENSIONS AND CONNECTION SIZES
CLASS 150 (PN 20) / CLASS 300 (PN 50)

| | | L | G | H | d | D | Kg |
|--------|--------|-----|-----|-----|-----|-------|----|
| DN 15 | 1/2" | 140 | 150 | 75 | 12 | 21,3 | -- |
| DN 20 | 3/4" | 152 | 150 | 75 | 15 | 26,7 | -- |
| DN 25 | 1" | 165 | 150 | 83 | 20 | 33,4 | -- |
| DN 32 | 1 1/4" | 178 | 180 | 90 | 25 | 42,2 | -- |
| DN 40 | 1 1/2" | 190 | 230 | 95 | 32 | 48,3 | -- |
| DN 50 | 2" | 216 | 275 | 115 | 40 | 60,3 | -- |
| DN 65 | 2 1/2" | 241 | 275 | 120 | 50 | 76,1 | -- |
| DN 80 | 3" | 283 | 320 | 135 | 65 | 88,1 | -- |
| DN 100 | 4" | 305 | 380 | 150 | 80 | 114,3 | -- |
| DN 125 | 5" | 356 | 450 | 170 | 100 | 139,7 | -- |
| DN 150 | 6" | 457 | 450 | 200 | 125 | 168,3 | -- |
| DN 200 | 8" | 521 | 650 | 235 | 150 | 219,1 | -- |