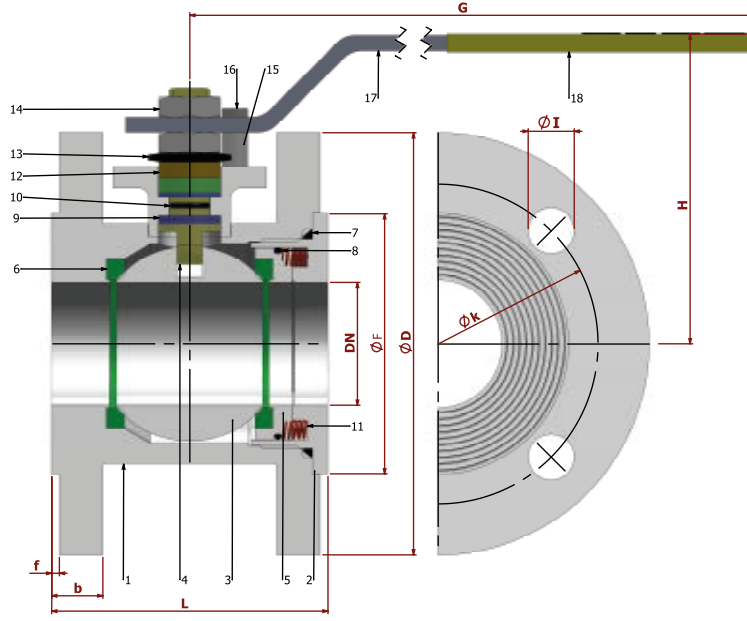


TİP TYPE  
BKV - EU 002

DN 32 - DN 150 PN 16 / 25 / 40

 ÇELİK  
STEEL

 TAM GEÇİŞLİ / FLANŞLI  
FULL BORE / FLANGED


PARÇA NO ITEM NO	PARÇA ADI ITEM DISCRPTION		MALZEME MATERIAL	
	18	PLASTİK KAPLAMA	PLASTIC COVERING	PVC
17	KÜRE HAREKET KOLU	BALL ACTION HANDLE	st 37	1.4301.
16	CİVATA	BOLT	ST 42 Gal.	1.4301.- 1.4401.
15	STOPLAMA PİMİ	STOPPING PIM	ST 42 Gal.	1.4301.
14	KONTRA SOMUN	COUNTER NUT	5,6 Gal.	1.4301.
13	ÇANAK PUL	BOWL WASHER	50 Cr V 4	1.4301.
12	BASKI RİNGİ	PRESSURE RING	MS 58	1.4301.- 1.4401.
11	YAY	SPRING	1.4301.	1.4301.- 1.4401.
10	MİL O-RİNC	SPINDLE O-RING	VİTON	VİTON
9	BOĞAZ SIZDIRMAZLIK TEFLONU	NECK TIGHTNESS ELEMENT	PTFE-Teflon	PTFE-Teflon
8	GÖVDE O-RİNG	BODY O-RING	VİTON	VİTON
7	GÖVDE O-RİNG	BODY O-RING	VİTON	VİTON
6	KÜRE SIZDIRMAZLIK TEFLONU	BALL TIGHTNESS ELEMENT	PTFE-Teflon	PTFE-Teflon
5	SIZDIRMAZLIK RİNGİ	TIGHTNESS RING	22 Mn $\epsilon$	1.4301.- 1.4401.
4	HAREKET MİLİ	ACTION SPINDLE	1.4021	1.4301.- 1.4401.
3	KÜRE	BALL	1.4301 / 1.4086	1.4305.- 1.4401.
2	KAPAK	COVER	22 Mn 6	1.4301.- 1.4401.
1	GÖVDE	BODY	22 Mn 6	1.4301.- 1.4401.

Boyut Dimensions : BATUSAN ÖZEL  
Bağlantılar Connections : EN 1092 - 1  
Çalışma Basıncı Working Pressure : PN 16 - 25 - 40  
Çalışma Sıcaklığı Working Temperature : -30 °C / +180 °C

Kullanım Alanları Usege Areas :  
Doğalgaz, LPG-LNG, Fuel-Oil, Basıncılı Hava ve Diğer Gazlar  
Natural Gas, LPG-LNG, Fuel-Oil, Pressurized Air and Other Gases etc.


**BOYUT ve BAĞLANTI ÖLÇÜLERİ DIMENSIONS AND CONNECTION SIZES**

		L	G	H	f	PN 16							PN 40						
						D	b	k	Hole Unit	I	F	Kg	D	b	k	Hole Unit	I	F	Kg
DN 32	1 1/4"	180	230	95	2	140	16	100	4	18	78	--	140	18	100	4	18	78	--
DN 40	1 1/2"	200	275	115	3	150	16	110	4	18	88	--	150	18	110	4	18	88	--
DN 50	2"	230	275	120	3	165	18	125	4	18	102	--	165	20	125	4	18	102	--
DN 65	2 1/2"	290	320	135	3	185	18	145	4	18	122	--	185	22	145	8	18	122	--
DN 80	3"	310	380	150	3	200	20	160	8	18	138	--	200	24	160	8	18	138	--
DN 100	4"	350	450	170	3	220	20	180	8	18	158	--	235	24	190	8	22	162	--
DN 125	5"	400	450	200	3	250	22	210	8	18	188	--	270	26	220	8	26	188	--
DN 150	6"	450	650	235	3	285	22	240	8	22	212	--	300	28	250	8	26	218	--