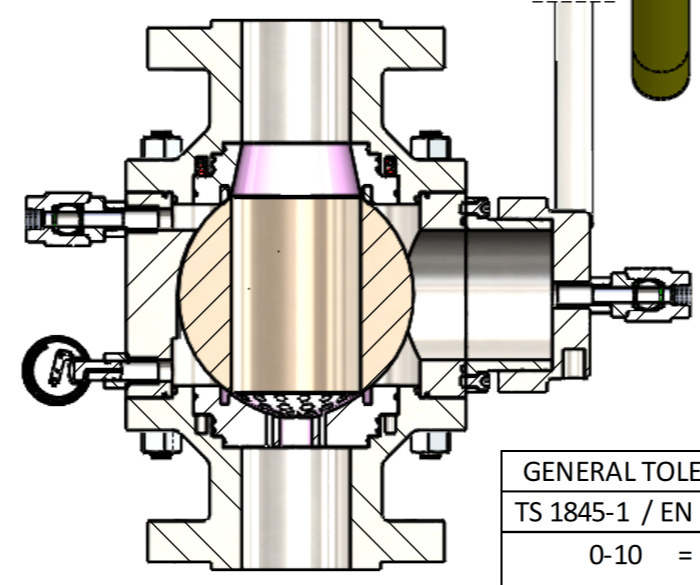


MATERIAL DATA

ITEM NO	ITEM DESCRIPTION	MATERIAL	
27	GEARBOX		
26	ADAPTOR SPINDLE	4140 - 5140	
25	ADAPTOR	ASTM A 105	
24	TRUNNION TIGHTNESS ELEMENT	PTFE-Teflon	
23	TRUNNION TIGHTNESS ELEMENT	PTFE-Teflon	
22	TRUNNION	ASTM A 105	
21	NUT	5.6.	1.4301.
20	STUD	4140 - 5140	1.4301.
19	COUNTER NUT	5,6 Gal.	1.4301.
18	BOWL WASHER	50 Cr V 4	1.4301.
17	PRESSURE RING	st 37	1.4301. - 1.4401.
16	SPINDLE O-RING	VITON	
15	BURGMAN GRAPHITE O-RING	EN 1514-1	
14	NECK TIGHTNESS ELEMENT	PTFE-Teflon	
13	NECK O-RING	VITON	
12	NECK TIGHTNESS ELEMENT	PTFE-Teflon	
11	NECK	ASTM A 105	
10	SPRING	1.4301.	
9	SEAT RING O-RING	VITON	
8	COVER O-RING	VITON	
7	BODY O-RING	VITON	
6	BALL TIGHTNESS ELEMENT	PTFE-Teflon	
5	SEAT RING	ASTM A 105	
4	ACTION SPINDLE	SS 316	
3	BALL	SS 316	
2	COVER	ASTM A 105	
1	BODY	ASTM A 105	



GEARBOX MODEL : AB550 With W100 Bevel Reducer

Desing Standard	API 6D / ISO 14313
End Type	ASME B 16.5
Face to Face	ASME B 16.10

ÇALIŞMA BASINCI WORKING PRESSURE	TEST BASINCI TEST PRESSURE
Max. 100 °C 50 Bar	SHELL 77 Bar
Max. 100 °C 40 Bar	CLOSURE 57 Bar
Kv	GAS 6 Bar

* Split Body * Flange End * Above Ground * Flotting or Trunnion Ball
 * Double Block and Bleed * Fire Safety * Anti Static Divace * Anti Blowout * Soft Seat

GENERAL TOLERANCE	
TS 1845-1 / EN 20286-1	
0-10	= ±0,05
0-20	= ±0,10
20-50	= ±0,20
50-100	= ±0,25
100-200	= ±0,30
200-500	= ±0,50



Prepared By	Furkan DAYI	Publication Date	05.02.2020	Materials
Draw By	Furkan DAYI	Revision No		Reference No
Checking	Tayfun TOYGA	Revision Date		Product No
Approval	Burak TÜREMEN	General Tol.		Piece No
Customer	Product	DN 100 CLASS 600 BKV FLTG		
	Piece			