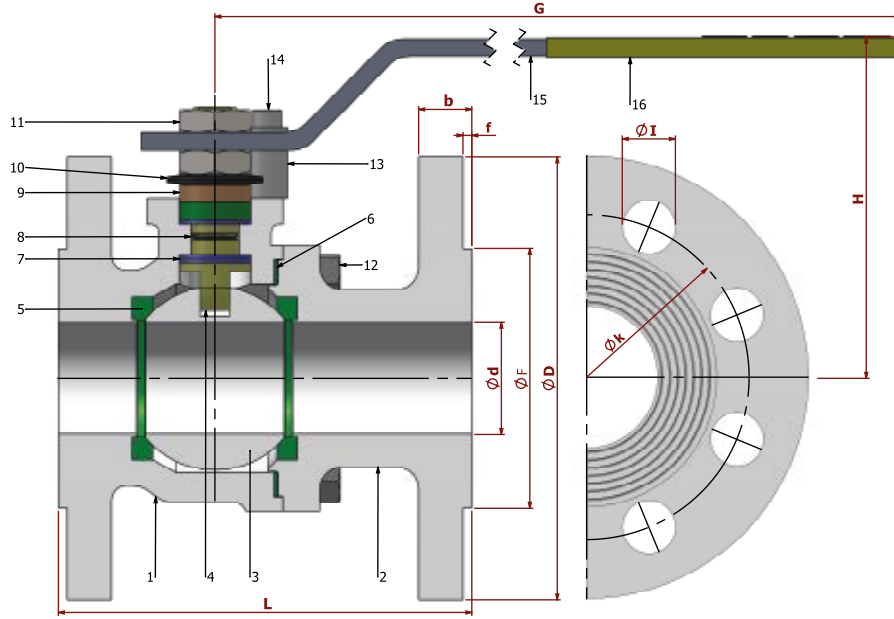


TİP TYPE
 BKV-FL-TG

DN 15 - DN 200

PN 16 / 40

 ÇELİK
 STEEL

 TAM GEÇİŞLİ / FLANŞLI
 FULL BORE / FLANGED


PARÇA NO ITEM NO	PARÇA ADI ITEM DISCRPTION	MALZEME MATERIAL
16	PLASTİK KAPLAMA PLASTIC COVERING	PVC PVC
15	KÜRE HAREKET KOLU BALL ACTION HANDLE	st 37 1.4301.
14	CİVATA BOLT	ST 42 Gal. 1.4301.- 1.4401.
13	STOPLAMA PİMİ STOPPING PIM	ST 42 Gal. 1.4301.
12	CİVATA BOLT	ST 42 Gal. 1.4301.- 1.4401.
11	KONTRA SOMUN COUNTER NUT	5,6 Gal. 1.4301.
10	ÇANAK PUL BOWL WASHER	50 Cr V 4 1.4301.
9	BASKI RİNGİ PRESSURE RING	MS 58 1.4301.- 1.4401.
8	MİL O-RİNG SPINDLE O-RING	VİTON VİTON
7	BOĞAZ SIZDIRMAZLIK TEFLONU NECK TIGHTNESS ELEMENT	PTFE-Teflon PTFE-Teflon
6	GÖVDE SIZDIRMAZLIK TEFLONU BODY TIGHTNESS ELEMENT	PTFE-Teflon PTFE-Teflon
5	KÜRE SIZDIRMAZLIK TEFLONU BALL TIGHTNESS ELEMENT	PTFE-Teflon PTFE-Teflon
4	HAREKET MİLİ ACTION SPINDLE	1.4021 1.4301.- 1.4401.
3	KÜRE BALL	1.4301 / 1.4086 1.4305.- 1.4401.
2	KAPAK COVER	A 216 WCB 1.4301.- 1.4401.
1	GÖVDE BODY	A 216 WCB 1.4301.- 1.4401.

 Boyut Dimensions : EN 558 / DIN 3202 F4-F5
 Bağlantılar Connections : EN 1092 - 1
 Çalışma Basıncı Working Pressure : PN 16 - 40
 Çalışma Sıcaklığı Working Temperature : -30 °C / +180 °C

 Kullanım Alanları Usege Areas :
 Su, Sıcak Su, Buhar, Basıncı Hava
 Water, Hot Water, Steam, Pressurized Air

BOYUT ve BAĞLANTI ÖLÇÜLERİ DIMENSIONS AND CONNECTION SIZES

		PN 16											PN 40						
		L	G	H	f	D	b	k	Hole Unit	I	F	Kg	D	b	k	Hole Unit	I	F	Kg
DN 15	1/2"	115	150	75	2	95	14	65	4	14	45	--	95	16	65	4	14	45	--
DN 20	3/4"	120	150	83	2	105	16	75	4	14	58	--	105	18	75	4	14	58	--
DN 25	1"	125	180	90	2	115	16	85	4	14	68	--	115	18	85	4	14	68	--
DN 32	1 1/4"	130	230	95	2	140	16	100	4	18	78	--	140	18	100	4	18	78	--
DN 40	1 1/2"	140	275	115	3	150	16	110	4	18	88	--	150	18	110	4	18	88	--
DN 50	2"	150	275	120	3	165	18	125	4	18	102	--	165	20	125	4	18	102	--
DN 65	2 1/2"	170	320	135	3	185	18	145	4	18	122	--	185	22	145	8	18	122	--
DN 80	3"	180	380	150	3	200	20	160	8	18	138	--	200	24	160	8	18	138	--
DN 100	4"	190	450	170	3	220	20	180	8	18	158	--	235	24	190	8	22	162	--
DN 125	5"	325	450	200	3	250	22	210	8	18	188	--	270	26	220	8	26	188	--
DN 150	6"	350	650	235	3	285	22	240	8	22	212	--	300	28	250	8	26	218	--
DN 200	8"	457	900	270	3	340	24	295	12	22	268	--	375	34	320	12	30	285	--