

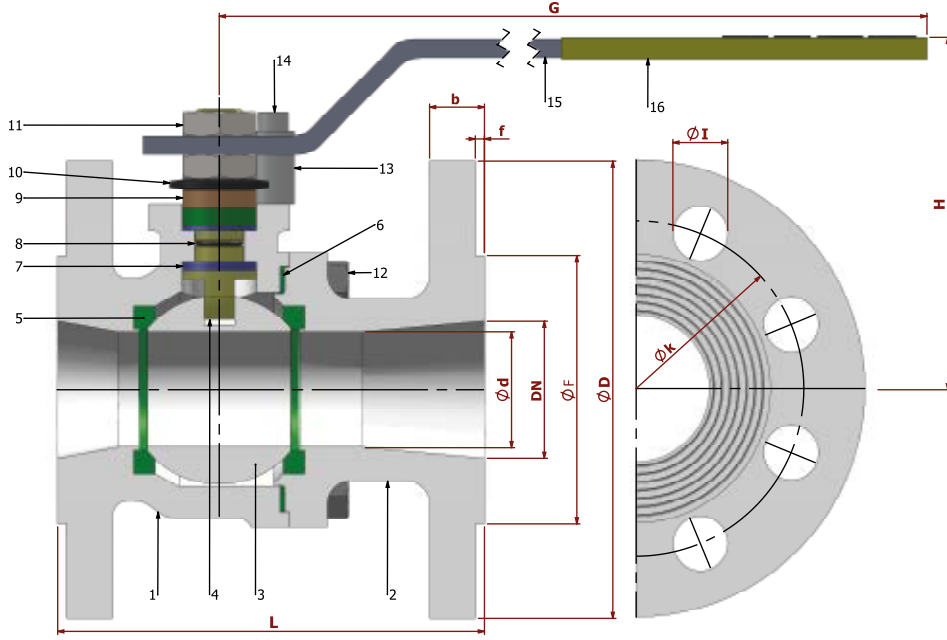
TIP TYPE
BKV-FL-RG

DN 15 - DN 200

PN 16 / 40

ÇELİK
STELL

REDÜKSİYON GEÇİŞLİ / FLANŞLI
REDUCED BORE / FLANGED



PARÇA NO ITEM NO	PARÇA ADI ITEM DISCRPTION	MALZEME MATERIAL	
16	PLASTİK KAPLAMA PLASTIC COVERING	PVC	PVC
15	KÜRE HAREKET KOLU BALL ACTION HANDLE	st 37	1.4301.
14	ÇİVATA BOLT	ST 42 Gal.	1.4301.- 1.4401.
13	STOPLAMA PİMİ STOPPING PIM	ST 42 Gal.	1.4301.
12	ÇİVATA BOLT	ST 42 Gal.	1.4301.- 1.4401.
11	KONTRA SOMUN COUNTER NUT	5,6 Gal.	1.4301.
10	ÇANAK PUL BOWL WASHER	50 Cr V 4	1.4301.
9	BASKI RİNGİ PRESSURE RING	MS 58	1.4301.- 1.4401.
8	MİL O-RING SPINDLE O-RING	VİTON	VİTON
7	BOĞAZ SIZDIRMAZLIK TEFLONU NECK TIGHTNESS ELEMENT	PTFE-Teflon	PTFE-Teflon
6	GÖVDE SIZDIRMAZLIK TEFLONU BODY TIGHTNESS ELEMENT	PTFE-Teflon	PTFE-Teflon
5	KÜRE SIZDIRMAZLIK TEFLONU BALL TIGHTNESS ELEMENT	PTFE-Teflon	PTFE-Teflon
4	HAREKET MİLİ ACTION SPINDLE	1,4021	1.4301.- 1.4401.
3	KÜRE BALL	1.4301 / 1.4086	1.4305.- 1.4401.
2	KAPAK COVER	A 216 WCB	1.4301.- 1.4401.
1	GÖVDE BODY	A 216 WCB	1.4301.- 1.4401.

Boyut Dimensions : EN 558 / DIN 3202 F4-F5
Bağlantılar Connections : EN 1092 - 1
Çalışma Basıncı Working Pressure : PN 16 - 40
Çalışma Sıcaklığı Working Temperature : -30 °C / +180 °C

Kullanım Alanları Usege Areas :
Su, Sıcak Su, Buhar, Basıncılı Hava
Water, Hot Water, Steam, Pressurized Air



BOYUT ve BAĞLANTI ÖLÇÜLERİ DIMENSIONS AND CONNECTION SIZES

	L	G	H	f	d	PN 16							PN 40							
						D	b	k	Hole Unit	I	F	Kg	D	b	k	Hole Unit	I	F	Kg	
DN 15	1/2"	115	150	75	2	12	95	14	65	4	14	45	--	95	16	65	4	14	45	--
DN 20	3/4"	120	150	83	2	15	105	16	75	4	14	58	--	105	18	75	4	14	58	--
DN 25	1"	125	150	83	2	20	115	16	85	4	14	68	--	115	18	85	4	14	68	--
DN 32	1 1/4"	130	180	90	2	25	140	16	100	4	18	78	--	140	18	100	4	18	78	--
DN 40	1 1/2"	140	230	95	3	32	150	16	110	4	18	88	--	150	18	110	4	18	88	--
DN 50	2"	150	275	115	3	40	165	18	125	4	18	102	--	165	20	125	4	18	102	--
DN 65	2 1/2"	170	275	120	3	50	185	18	145	4	18	122	--	185	22	145	8	18	122	--
DN 80	3"	180	320	135	3	65	200	20	160	8	18	138	--	200	24	160	8	18	138	--
DN 100	4"	190	380	150	3	80	220	20	180	8	18	158	--	235	24	190	8	22	162	--
DN 125	5"	325	450	170	3	100	250	22	210	8	18	188	--	270	26	220	8	26	188	--
DN 150	6"	350	450	200	3	125	285	22	240	8	22	212	--	300	28	250	8	26	218	--
DN 200	8"	457	650	235	3	150	340	24	295	12	22	268	--	375	34	320	12	30	285	--