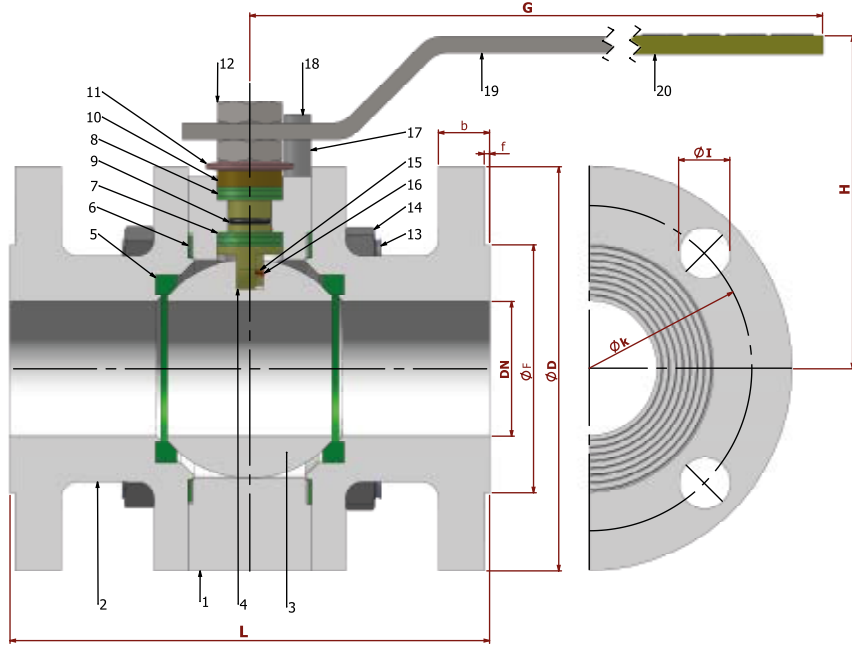


TİP TYPE
 BKV-FL-TG

DN 15 - DN 200

PN 64

 ÇELİK
 STEEL

 TAM GEÇİŞLİ / FLANŞLI
 FULL BORE / FLANGED


PARÇA NO ITEM NO	PARÇA ADI ITEM DISCRPTION	MALZEME MATERIAL
20	PLASTİK KAPLAMA PLASTIC COVERING	PVC PVC
19	KÜRE HAREKET KOLU BALL ACTION HANDLE	st 37 1.4301.
18	CİVATA BOLT	ST 42 Gal. 1.4301.- 1.4401.
17	STOPLAMA PİMİ STOPPING PIM	ST 42 Gal. 1.4301.
16	ANTİSTATİK KÜRE ANTISTATIC BALL	1.4301. 1.4301.- 1.4401.
15	ANTİSTATİK YAY ANTISTATIC SPRING	1.4301. 1.4301.- 1.4401.
14	SOMUN NUT	5.6. 1.4301.- 1.4401.
13	ŞAPLAMA STOPPING PIM	4140 - 514t 1.4301.
12	KONTRA SOMUN COUNTER NUT	5,6 Gal. 1.4301.
11	ÇANAK PUL BOWL WASHER	50 Cr V 4 1.4301.
10	BASKI RİNGİ PRESSURE RING	MS 58 1.4301.- 1.4401.
9	MİL O-RİNG SPINDLE O-RING	VİTON VİTON
8	BURGMAN GRAFİT O-RİNG BURGMAN GRAPHITE O-RING	EN 1514-1 EN 1514-1
7	BOĞAZ SIZDIRMAZLIK TEFLONU NECK TIGHTNESS ELEMENT	PTFE-Teflon PTFE-Teflon
6	GÖVDE SIZDIRMAZLIK TEFLONU BODY TIGHTNESS ELEMENT	PTFE-Teflon PTFE-Teflon
5	KÜRE SIZDIRMAZLIK TEFLONU BALL TIGHTNESS ELEMENT	PTFE-Teflon PTFE-Teflon
4	HAREKET MİLİ ACTION SPINDLE	1,4021 1.4301.- 1.4401.
3	KÜRE BALL	1.4301 / 1.4086 1.4305.- 1.4401.
2	KAPAK COVER	SAE 1020 1.4301.- 1.4401.
1	GÖVDE BODY	SAE 1020 1.4301.- 1.4401.

Boyut Dimensions : EN 558
 Bağlantılar Connections : EN 1092-1
 Çalışma Basıncı Working Pressure : PN 64
 Çalışma Sıcaklığı Working Temperature : -30 °C / +180 °C

Kullanım Alanları Usege Areas :
 Su, Sıcak Su, Buhar, Basıncılı Hava
 Water, Hot Water, Steam, Pressurized Air


BOYUT ve BAĞLANTI ÖLÇÜLERİ DIMENSIONS AND CONNECTION SIZES

		PN 64										
		L	G	H	f	D	b	k	Hole Unit	I	F	Kg
DN 15	1/2"	210	150	75	2	105	20	75	4	14	45	
DN 20	3/4"	230	150	83	2	130	24	90	4	18	58	
DN 25	1"	230	180	90	2	140	24	100	4	18	68	
DN 32	1 1/4"	260	230	95	2	155	24	110	4	23	78	
DN 40	1 1/2"	260	275	115	3	170	26	125	4	23	88	
DN 50	2"	300	275	120	3	180	26	135	4	23	102	
DN 65	2 1/2"	340	320	135	3	205	26	160	8	23	122	
DN 80	3"	380	380	150	3	215	28	170	8	23	138	
DN 100	4"	430	450	170	3	250	30	200	8	27	162	
DN 125	5"	500	450	200	3	295	34	240	8	30	188	
DN 150	6"	550	650	235	3	345	36	280	8	33	218	
DN 200	8"	650	900	270	3	415	42	345	12	36	285	