

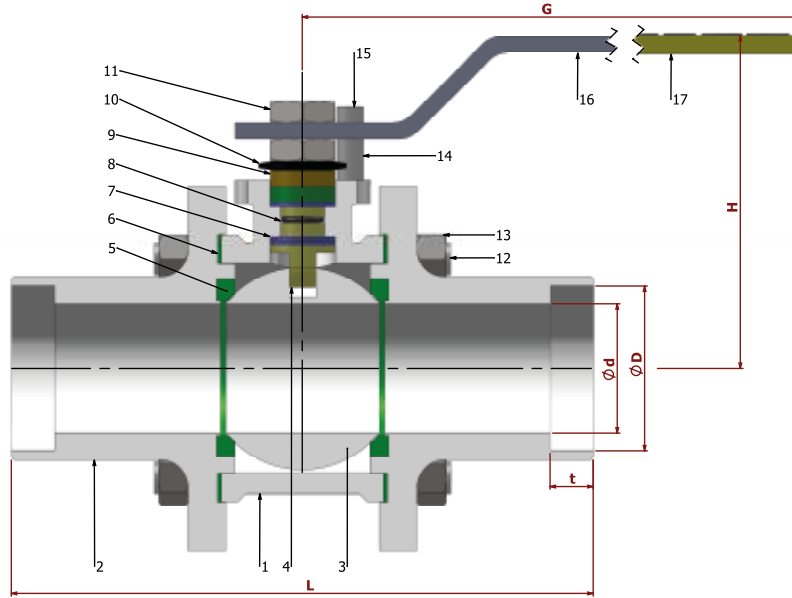
TIP TYPE
BKV-SO-TG

DN 6 - DN 125

PN 16 - PN 40

ÇELİK
STELL

TAM GEÇİŞLİ / SOKET KAYNAKLI
FULL BORE / SOCKET WELD



PARÇA NO ITEM NO	PARÇA ADI ITEM DISCRPTION	MALZEME MATERIAL
17	PLASTİK KAPLAMA PLASTIC COVERING	PVC
16	KÜRE HAREKET KOLU BALL ACTION HANDLE	st 37
15	CİVATA BOLT	ST 42 Gal.
14	STOPLAMA PİMİ STOPPING PIM	ST 42 Gal.
13	SOMUN NUT	5,6.
12	SAPLAMA STOPPING PIM	CK 35 / CK 45
11	KONTRA SOMUN COUNTER NUT	5,6 Gal.
10	ÇANAK PUL BOWL WASHER	50 Cr V 4
9	BASKI RİNGİ PRESSURE RING	MS 58
8	MİL O-RİNG SPINDLE O-RING	VITON
7	BOĞAZ SIZDIRMAZLIK TEFLONU NECK TIGHTNESS ELEMENT	PTFE-Teflon
6	GÖVDE SIZDIRMAZLIK TEFLONU BODY TIGHTNESS ELEMENT	PTFE-Teflon
5	KÜRE SIZDIRMAZLIK TEFLONU BALL TIGHTNESS ELEMENT	PTFE-Teflon
4	HAREKET MİLİ ACTION SPINDLE	1,4021
3	KÜRE BALL	1.4301 / 1.4086
2	KAPAK COVER	A 216 WCB
1	GÖVDE BODY	A 216 WCB

Boyut

Dimensions

: TS EN 12982
ASME B 16.10

Bağlantılar

Connections

: ASME B 16.11

Çalışma Basıncı

Working Pressure

: PN 16 - 40

Çalışma Sıcaklığı

Working Temperature

: -30 °C / +180 °C

Kullanım Alanları

Usege Areas

:

Su, Sıcak Su, Buhar, Basıncılı Hava
Water, Hot Water, Steam, Pressurized Air



BOYUT ve BAĞLANTI ÖLÇÜLERİ DIMENSIONS AND CONNECTION SIZES

		PN 16 - PN 40						PN 16	PN 40
		L	G	H	d	D	t	Kg	Kg
DN 6	1/8"	140	150	75	8	10,7	10	1,0	1,2
DN 8	1/4"	140	150	75	10	14,3	10	1,2	1,3
DN 10	3/8"	140	150	75	10	17,6	10	1,4	1,5
DN 15	1/2"	140	150	75	15	21,8	10	1,5	1,6
DN 20	3/4"	152	150	83	20	27,4	13	2,0	2,1
DN 25	1"	165	180	90	25	34,1	13	2,5	2,6
DN 32	1 1/4"	178	230	95	32	42,8	13	4,5	5,0
DN 40	1 1/2"	190	275	115	40	48,8	16	6,5	7,0
DN 50	2"	216	2875	120	50	61,8	16	9,0	9,2
DN 65	2 1/2"	241	320	135	65	77	16	13,0	13,5
DN 80	3"	283	380	150	80	90	16	15,0	15,5
DN 100	4"	308	450	170	100	115,4	20	19,0	20,0
DN 125	5"	381	450	200	125	141	25	22,0	24,0