

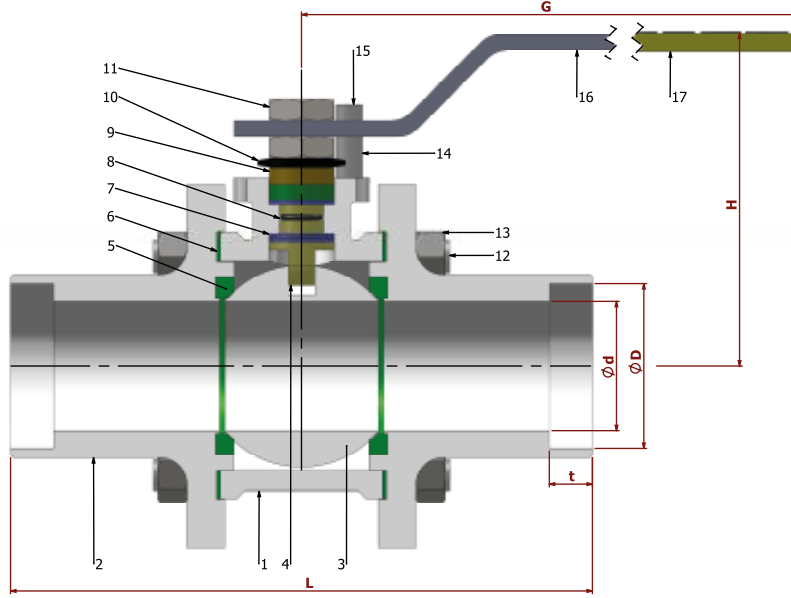
TİP TYPE
BKV-SO-RG

DN 6 - DN 125

PN 16 - PN 40

ÇELİK
STELL

REDÜKSİYON GEÇİŞLİ / SOKET KAYNAKLI
REDUCED BORE / SOCKET WELD



PARÇA NO ITEM NO	PARÇA ADI ITEM DISCRPTION	MALZEME MATERIAL	
17	PLASTİK KAPLAMA PLASTIC COVERING	PVC	PVC
16	KÜRE HAREKET KOLU BALL ACTION HANDLE	st 37	1.4301.
15	CIVATA BOLT	ST 42 Gal.	1.4301.- 1.4401.
14	STOPLAMA PİMİ STOPPING PIM	ST 42 Gal.	1.4301.
13	SOMUN NUT	5.6.	1.4301.- 1.4401.
12	SAPLAMA STOPPING PIM	CK 35 / CK 45	1.4301.
11	KONTRA SOMUN COUNTER NUT	5,6 Gal.	1.4301.
10	ÇANAK PUL BOWL WASHER	50 Cr V 4	1.4301.
9	BASKI RİNGİ PRESSURE RING	MS 58	1.4301.- 1.4401.
8	MİL O-RİNC SPINDLE O-RING	VİTON	VİTON
7	BOĞAZ SIZDIRMAZLIK TEFLONU NECK TIGHTNESS ELEMENT	PTFE-Teflon	PTFE-Teflon
6	GÖVDE SIZDIRMAZLIK TEFLONU BODY TIGHTNESS ELEMENT	PTFE-Teflon	PTFE-Teflon
5	KÜRE SIZDIRMAZLIK TEFLONU BALL TIGHTNESS ELEMENT	PTFE-Teflon	PTFE-Teflon
4	HAREKET MİLİ ACTION SPINDLE	1,4021	1.4301.- 1.4401.
3	KÜRE BALL	1.4301 / 1.4086	1.4305.- 1.4401.
2	KAPAK COVER	A 216 WCB	1.4301.- 1.4401.
1	GÖVDE BODY	A 216 WCB	1.4301.- 1.4401.

Boyut Dimensions : TS EN 12982
ASME B 16.10
Bağlantılar Connections : ASME B 16.11
Çalışma Basıncı Working Pressure : PN 16 - 40
Çalışma Sıcaklığı Working Temperature : -30 °C / +180 °C

Kullanım Alanları Usege Areas :
Su, Sıcak Su, Buhar, Basıncılı Hava
Water, Hot Water, Steam, Pressurized Air



BOYUT ve BAĞLANTI ÖLÇÜLERİ DIMENSIONS AND CONNECTION SIZES

		PN 16 - PN 40						PN 16	PN 40
		L	G	H	d	D	t	Kg	Kg
DN 6	1/8"	140	150	75	6	10,7	10	0,8	0,9
DN 8	1/4"	140	150	75	8	14,3	10	0,9	1,0
DN 10	3/8"	140	150	75	10	17,6	10	1,1	1,2
DN 15	1/2"	140	150	75	10	21,8	10	1,2	1,3
DN 20	3/4"	152	150	75	15	27,4	13	1,5	1,7
DN 25	1"	165	150	83	20	34,1	13	2,2	2,6
DN 32	1 1/4"	178	180	90	25	42,8	13	4,0	5,0
DN 40	1 1/2"	190	230	95	32	48,8	16	6,0	6,5
DN 50	2"	216	275	115	40	61,8	16	8,5	9,0
DN 65	2 1/2"	241	287,5	120	50	77	16	12,5	13,0
DN 80	3"	283	320	135	65	90	16	14,0	14,5
DN 100	4"	308	380	150	80	115,4	20	18,0	18,5
DN 125	5"	381	450	170	100	141	25	21,0	22,0