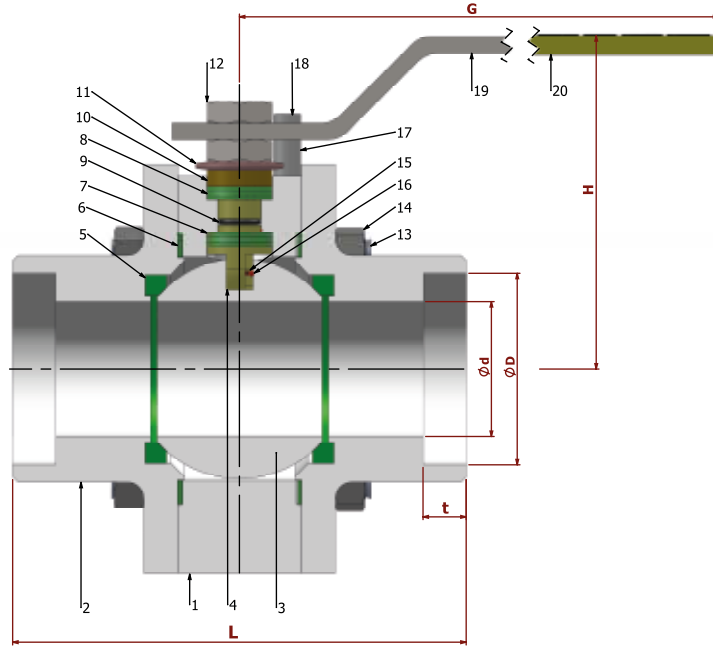


TİP TYPE
BKV-SO-RG
DN 15 - DN 100
PN 64 - PN 100
ÇELİK
STELL
REDÜKSİYON GEÇİŞLİ / SOKET KAYNAKLI
REDUCED BORE / SOCKET WELD


PARÇA NO ITEM NO	PARÇA ADI ITEM DISCRPTION	MALZEME MATERIAL	
20	PLASTİK KAPLAMA PLASTIC COVERING	PVC	PVC
19	KÜRE HAREKET KOLU BALL ACTION HANDLE	st 37	1.4301.
18	CIVATA BOLT	ST 42 Gal.	1.4301. - 1.4401.
17	STOPLAMA PİMİ STOPPING PIM	ST 42 Gal.	1.4301.
16	ANTİSTATİK KÜRE ANTISTATIC BALL	1.4301.	1.4301. - 1.4401.
15	ANTİSTATİK YAY ANTISTATIC SPRING	1.4301.	1.4301. - 1.4401.
14	SOMUN NUT	5.6.	1.4301. - 1.4401.
13	SAPLAMA STOPPING PIM	4140 - 5140	1.4301.
12	KONTRA SOMUN COUNTER NUT	5,6 Gal.	1.4301.
11	ÇANAK PUL BOWL WASHER	50 Cr V 4	1.4301.
10	BASKI RİNGİ PRESSURE RING	M5 58	1.4301. - 1.4401.
9	MİL O-RİNC SPINDLE O-RING	VİTON	VİTON
8	BURGMAN GRAFİT O-RİNG BURGMAN GRAPHITE O-RING	EN 1514-1	EN 1514-1
7	BOĞAZ SIZDIRMAZLIK TEFLONU NECK TIGHTNESS ELEMENT	PTFE-Teflon	PTFE-Teflon
6	GÖVDE SIZDIRMAZLIK TEFLONU BODY TIGHTNESS ELEMENT	PTFE-Teflon	PTFE-Teflon
5	KÜRE SIZDIRMAZLIK TEFLONU BALL TIGHTNESS ELEMENT	PTFE-Teflon	PTFE-Teflon
4	HAREKET MİLİ ACTION SPINDLE	1.4021	1.4301. - 1.4401.
3	KÜRE BALL	1.4301 / 1.4086	1.4305. - 1.4401.
2	KAPAK COVER	SAE 1020	1.4301. - 1.4401.
1	GÖVDE BODY	SAE 1020	1.4301. - 1.4401.

Boyut Dimensions : TS EN 12982
ASME B 16.10

Bağlantılar Connections : ASME B 16.11

Çalışma Basıncı Working Pressure : PN 64 - 100

Çalışma Sıcaklığı Working Temperature : -30 °C / +180 °C

Kullanım Alanları Usege Areas :
Su, Sıcak Su, Buhar, Basıncılı Hava
Water, Hot Water, Steam, Pressurized Air


BOYUT ve BAĞLANTI ÖLÇÜLERİ DIMENSIONS AND CONNECTION SIZES

		PN 64 - PN 100					PN 64	PN 100	
		L	G	H	d	D	t	Kg	Kg
DN 15	1/2"	165	150	75	12	21,8	10,0		
DN 20	3/4"	190	150	75	15	27,4	13,0		
DN 25	1"	216	150	83	20	34,1	13,0		
DN 32	1 1/4"	229	180	90	25	42,8	13,0		
DN 40	1 1/2"	241	230	95	32	48,8	16,0		
DN 50	2"	292	275	115	40	61,8	16,0		
DN 65	2 1/2"	330	275	120	50	77,0	16,0		
DN 80	3"	356	320	135	65	90,0	16,0		
DN 100	4"	432	380	150	80	115,4	20,0		