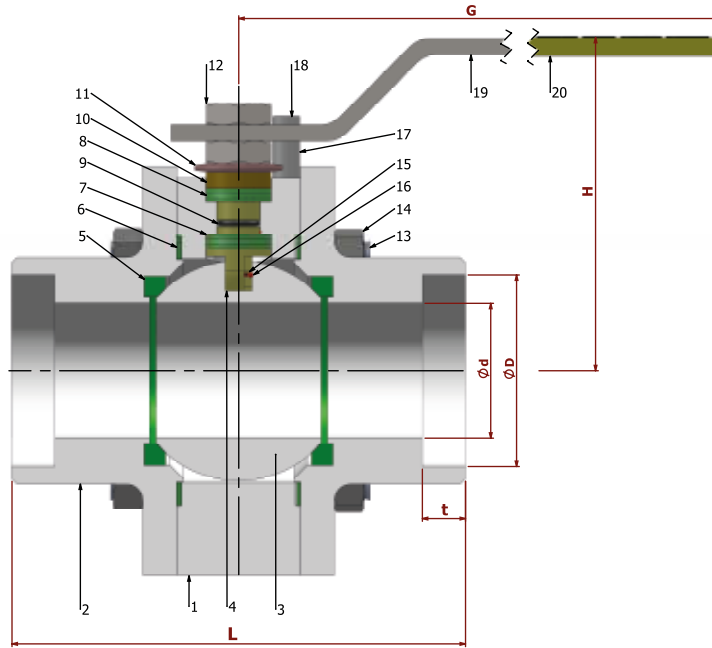


**TIP TYPE**  
**BKV-SO-TG**
**DN 15 - DN 100**
**PN 150**
**ÇELİK**  
**STELL**
**TAM GEÇİŞLİ / SOKET KAYNAKLI**  
**FULL BORE / SOCKET WELD**


PARÇA NO ITEM NO	PARÇA ADI ITEM DISCRPTION	MALZEME MATERIAL
20	PLASTİK KAPLAMA PLASTIC COVERING	PVC PVC
19	KÜRE HAREKET KOLU BALL ACTION HANDLE	st 37 1.4301.
18	CİVATA BOLT	ST 42 Gal. 1.4301. - 1.4401.
17	STOPLAMA PİMİ STOPPING PIM	ST 42 Gal. 1.4301.
16	ANTİSTATİK KÜRE ANTISTATIC BALL	1.4301. - 1.4401. 1.4301. - 1.4401.
15	ANTİSTATİK YAY ANTISTATIC SPRING	1.4301. 1.4301. - 1.4401.
14	SOMUN NUT	5.6. 1.4301. - 1.4401.
13	ŞAPLAMA STOPPING PIM	4140 - 514I 1.4301.
12	KONTRA SOMUN COUNTER NUT	5,6 Gal. 1.4301.
11	ÇANAK PUL BOWL WASHER	50 Cr V 4 1.4301.
10	BASKI RİNGİ PRESSURE RING	M5 58 1.4301. - 1.4401.
9	MİL O-RİNG SPINDLE O-RING	VİTON VİTON
8	BURGMAN GRAFİT O-RİNG BURGMAN GRAPHITE O-RING	EN 1514-1 EN 1514-1
7	BOĞAZ SIZDIRMAZLIK TEFLONU NECK TIGHTNESS ELEMENT	PTFE-Teflon PTFE-Teflon
6	GÖVDE SIZDIRMAZLIK TEFLONU BODY TIGHTNESS ELEMENT	PTFE-Teflon PTFE-Teflon
5	KÜRE SIZDIRMAZLIK TEFLONU BALL TIGHTNESS ELEMENT	PTFE-Teflon PTFE-Teflon
4	HAREKET MİLİ ACTION SPINDLE	1,4021 1.4301. - 1.4401.
3	KÜRE BALL	1,4301 / 1,4086 1.4305. - 1.4401.
2	KAPAK COVER	SAE 1020 1.4301. - 1.4401.
1	GÖVDE BODY	SAE 1020 1.4301. - 1.4401.

Boyut	Dimensions	: TS EN 12982 ASME B 16.10
Bağlantılar	Connections	: ASME B 16.11
Çalışma Basıncı	Working Pressure	: PN 150
Çalışma Sıcaklığı	Working Temperature	: -30 °C / .+180 °C

Kullanım Alanları Usege Areas :  
 Su, Sıcak Su, Buhar, Basıncılı Hava  
 Water, Hot Water, Steam, Pressurized Air


**BOYUT ve BAĞLANTI ÖLÇÜLERİ DIMENSIONS AND CONNECTION SIZES**

		PN 150						
		L	G	H	d	D	t	Kg
DN 15	1/2"	216	150	75	15	21,8	10,0	
DN 20	3/4"	229	150	83	20	27,4	13,0	
DN 25	1"	254	180	90	25	34,1	13,0	
DN 32	1 1/4"	279	230	95	32	42,8	13,0	
DN 40	1 1/2"	305	275	115	40	48,8	16,0	
DN 50	2"	368	275	120	50	61,8	16,0	
DN 65	2 1/2"	419	320	135	65	77,0	16,0	
DN 80	3"	381	380	150	80	90,0	16,0	
DN 100	4"	457	450	170	100	115,4	20,0	