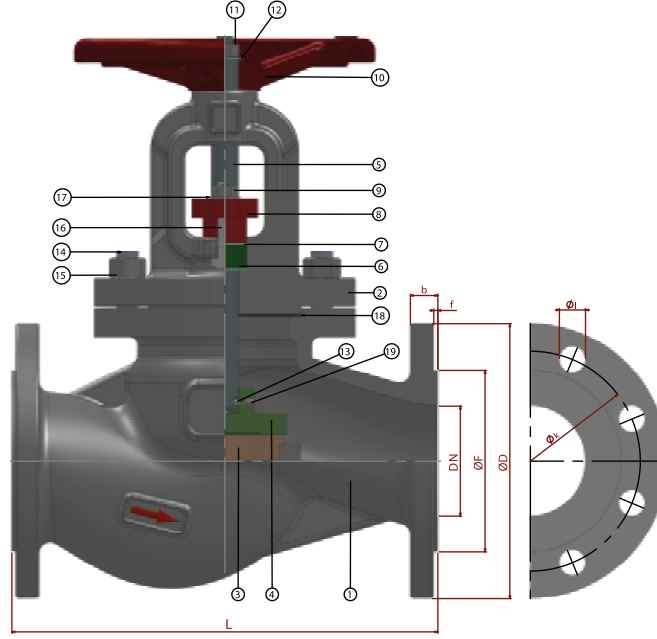


TİP TYPE
BGV

DN 15 - DN 200

PN 16

PIK DÖKÜM
CAST IRON



| PARÇA NO ITEM NO | PARÇA ADI ITEM DISCRIPTION | MALZEME MATERIAL |
|---------------------|-------------------------------|----------------------------------|
| 19 | SETİSKUR STAY BOLT | St 42 + GALVANİZ |
| 18 | CONTA GASKET | ASTBESTSİZ CONTA / ASBESTOS FREE |
| 17 | PUL WASHER | Çelik / 50 Cr V 4 |
| 16 | T-BAŞLI CİVATA STUD | St 42 + GALVANİZ |
| 15 | SOMUN NUT | 5.6. |
| 14 | SAPLAMA STUD | CK 35 |
| 13 | BİLYA HANDWHEEL | PASLANMAZ / STAINLESS |
| 12 | VOLAN PUL HANDWHEEL WASHER | Çelik / 50 Cr V 4 |
| 11 | VOLAN SOMUNU HANDWHEEL NUT | 5.6. |
| 10 | VOLAN HANDWHEEL | ST 37-2 / GG 25 |
| 9 | BASKI SOMUNU GLAND NUT | 5.6. |
| 8 | BASKI GLAND | GG-25 / EN JL 1040 |
| 7 | RİNG PULLU RING WASHER | ASTBESTSİZ CONTA / ASBESTOS FREE |
| 6 | RİNG RING WASHER | SAF GRAFİT / PURE GRAPHITE |
| 5 | HAREKET MİLİ STEM | 1,4021 / X20Cr13 / AISI 420 |
| 4 | KLAPE DISC | 1,4021 / X20Cr13 / AISI 420 |
| 3 | SİT SEAT | 1,4057 / AISI 431 |
| 2 | KAPAK BONNET | GG-25 / EN JL 1040 |
| 1 | GÖVDE BODY | GG-25 / EN JL 1040 |

Boyut Dimensions : EN 558
Bağlantılar Connections : EN 1092-2
Çalışma Basıncı Working Pressure : PN 16
Çalışma Sıcaklığı Working Temperature : -10 °C / +300 °C

Kullanım Alanları Usege Areas :
Sıcak ve Soğuk Su Sistemleri, Buhar Sistemleri, Basıncılı Hava
Hot and Cold Water Systems, Steam Systems, Pressurized Air



BOYUT ve BAĞLANTI ÖLÇÜLERİ DIMENSIONS AND CONNECTION SIZES

| | | PN 16 | | | | | | | | | |
|--------|--------|-------|---|-----|----|-----|-----------|----|-----|------------|----|
| | | L | f | D | b | k | Hole Unit | I | F | Kvs (m³/h) | Kg |
| DN 15 | 1/2" | 130 | 2 | 95 | 14 | 65 | 4 | 14 | 45 | 5 | -- |
| DN 20 | 3/4" | 150 | 2 | 105 | 16 | 75 | 4 | 14 | 58 | 9 | -- |
| DN 25 | 1" | 160 | 2 | 115 | 16 | 85 | 4 | 14 | 68 | 12 | -- |
| DN 32 | 1 1/4" | 180 | 2 | 140 | 18 | 100 | 4 | 18 | 78 | 20 | -- |
| DN 40 | 1 1/2" | 200 | 3 | 150 | 18 | 110 | 4 | 18 | 88 | 32 | -- |
| DN 50 | 2" | 230 | 3 | 165 | 20 | 125 | 4 | 18 | 102 | 40 | -- |
| DN 65 | 2 1/2" | 290 | 3 | 185 | 20 | 145 | 4 | 18 | 122 | 85 | -- |
| DN 80 | 3" | 310 | 3 | 200 | 22 | 160 | 8 | 18 | 138 | 110 | -- |
| DN 100 | 4" | 350 | 3 | 220 | 24 | 180 | 8 | 18 | 158 | 165 | -- |
| DN 125 | 5" | 400 | 3 | 250 | 26 | 210 | 8 | 18 | 188 | 290 | -- |
| DN 150 | 6" | 480 | 3 | 285 | 26 | 240 | 8 | 23 | 212 | 345 | -- |
| DN 200 | 8" | 600 | 3 | 340 | 30 | 295 | 12 | 23 | 268 | 680 | -- |