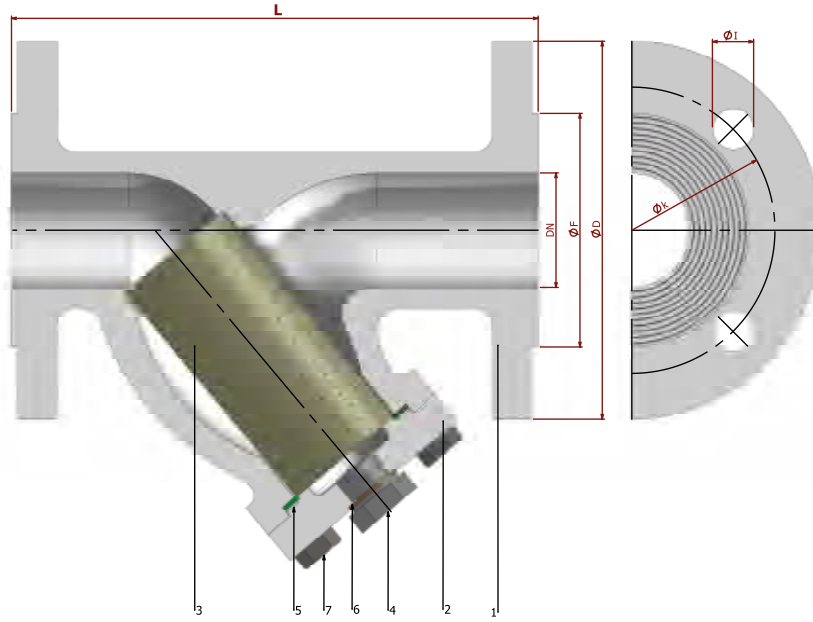


TİP TYPE
 BPT - FL

DN 15 - DN 200

PN 16 / 25 / 40

 FLANŞLI
 FLANGED


Boyut	Dimensions	: TS 11494 / EN 558
Bağlantı	Connections	: EN 1092 - 1 / 2
Çalışma Basıncı	Working Pressure	: PN 16 - 25 - 40
Çalışma Sıcaklığı	Working Temperature	: PN 16 : -10 °C / +300 °C PN 40 : -40 °C / +400 °C

Kullanım Alanları Usege Areas :
 PN 16 Su, Sıcak Su, Buhar ve Yanıcı Olmayan Gazlar
 Water, Hot Water, Steam and Non-Flammable Gases

PN 25/40 Doğalgaz, LPG - LNG, Fuel-Oil, Basıncılı Hava ve Diğer Gazlar
 Natural Gas, LPG-LNG, Fuel-Oil, Pressurized Air and Other Gases etc.



PARÇA NO ITEM NO	PARÇA ADI ITEM DISCRPTION		MALZEME MATERIAL			
	7	CIVATA	BOLT	8.8.	8.8.	8.8.
6	CONTA	TIGHTNESS ELEMENT	Cu	Cu	Cu	Cu
5	CONTA	TIGHTNESS ELEMENT	PTFE-Teflon	PTFE-Teflon	PTFE-Teflon	PTFE-Teflon
4	BOŞALTIMA TAPASI	VALVE CAP	C 22	C 22	C 22	1.4301.
3	FİLTRE	BALL TIGHTNESS ELEMENT	1.4301.	1.4301.	1.4301.	PTFE-Teflon
2	KAPAK	COVER	GG 25	GGG 40.3	GS C 25	1.4301. - 1.4401.
1	GÖVDE	BODY	GG 25	GGG 40.3	GS C 25	1.4301. - 1.4401.

BOYUT ve BAĞLANTI ÖLÇÜLERİ DIMENSIONS AND CONNECTION SIZES

	L	f	PN 16							PN 40							
			D	b	k	Hole Unit	I	F	Kg	D	b	k	Hole Unit	I	F	Kg	
DN 15	1/2"	130	2	95	14	65	4	14	45	2,3	95	16	65	4	14	45	2,4
DN 20	3/4"	150	2	105	16	75	4	14	58	3,8	105	18	75	4	14	58	4,0
DN 25	1"	160	2	115	16	85	4	14	68	5,0	115	18	85	4	14	68	5,2
DN 32	1 1/4"	180	2	140	16	100	4	18	78	7,0	140	18	100	4	18	78	7,2
DN 40	1 1/2"	200	3	150	16	110	4	18	88	8,2	150	18	110	4	18	88	8,5
DN 50	2"	230	3	165	18	125	4	18	102	12,0	165	20	125	4	18	102	12,2
DN 65	2 1/2"	290	3	185	18	145	4	18	122	18,8	185	22	145	8	18	122	19,0
DN 80	3"	310	3	200	20	160	8	18	138	27,2	200	24	160	8	18	138	27,7
DN 100	4"	350	3	220	20	180	8	18	158	43,8	235	24	190	8	22	162	44,0
DN 125	5"	400	3	250	22	210	8	18	188	64,0	270	26	220	8	26	188	65,0
DN 150	6"	480	3	285	22	240	8	22	212	78,0	300	28	250	8	26	218	80,0
DN 200	8"	600	3	340	24	295	12	22	268	--	375	34	320	12	30	285	--