

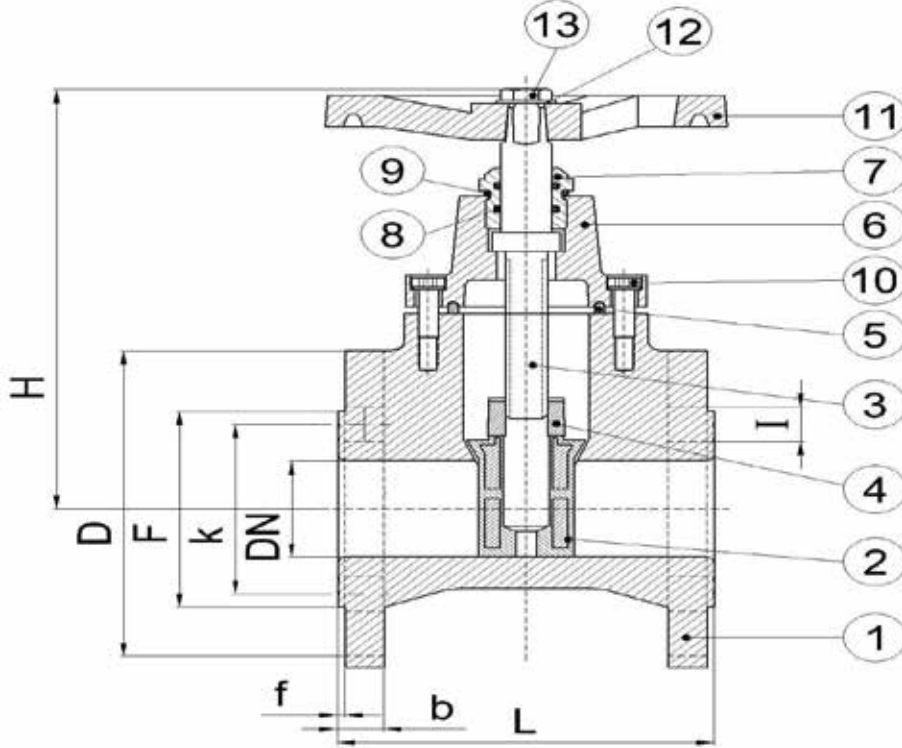
TİP TYPE
BSV

DN 50 - DN 250

PN 10 / 16

PİK DÖKÜM
CAST IRON

FLANŞLI
FLANGED



PARÇA NO ITEM NO	PARÇA ADI ITEM DISCRPTION	MALZEME MATERIAL
13	VOLAN CIVATASI FLYWHEEL BOLT	6,8 Galv.
12	VOLAN PULU FLYWHEEL WASHER	8,8
11	VOLAN FLYWHEEL	GG 25
10	KAPAK BAĞ. CIVATASI COVER BOLT	8,8 Galv.
9	KAPAK O-RİNGİ COVER O-RING	EPDM
8	RAKOR O-RİNGİ GLAND O-RING	EPDM
7	MİL RAKORU SPINDLE GLAND	GGG 40
6	KAPAK COVER	GG 25
5	KAPAK CONTASI COVER GASKET	EPDM
4	HAREKET SOMUNU ACTION NUT	MS 58
3	MİL SPINDLE	X20Cr13
2	SÜRGÜ GATE	GG 25 + EPDM Coating
1	GÖVDE BODY	GG 25

Boyut Dimensions : EN 558
Bağlantılar Connections : EN 1092 - 2
Çalışma Basıncı Working Pressure : PN 10 - 16
Çalışma Sıcaklığı Working Temperature : -10 °C / +120 °C

Kullanım Alanları Usege Areas :
Sıcak ve Soğuk Su Sistemleri, Gıda, Petrokimya ve Yanıcı Olmayan Akışkanlar
Hot and Cold Water Systems, Food, Petrochemical and Non-Flammable Gases



BOYUT ve BAĞLANTI ÖLÇÜLERİ DIMENSIONS AND CONNECTION SIZES

			PN 10 / 16									
			L	f	D	b	k	Hole Unit	I	F	H	Kg
DN 50	2"	PN 10 / 16	150	3	165	18	125	4	18	102	260	11,0
DN 65	2 1/2"	PN 10 / 16	170	3	185	18	145	4	18	122	290	15,0
DN 80	3"	PN 10 / 16	180	3	200	20	160	8	18	138	305	20,0
DN 100	4"	PN 10 / 16	190	3	220	20	180	8	18	158	340	24,0
DN 125	5"	PN 10 / 16	200	3	250	22	210	8	18	188	420	36,0
DN 150	6"	PN 10 / 16	210	3	285	22	240	8	22	212	440	47,0
DN 200	8"	PN 10	230	3	340	24	295	8	22	268	520	79,5
DN 250	10"	PN 10	250	3	395	26	350	12	22	320	620	140,0
DN 200	8"	PN 16	230	3	340	24	295	12	22	268	520	79,5
DN 250	10"	PN 16	250	3	405	26	355	12	26	320	620	140,0