

TİP TYPE: BDKV – Dİ – RG {R 1/2" – R 2"}

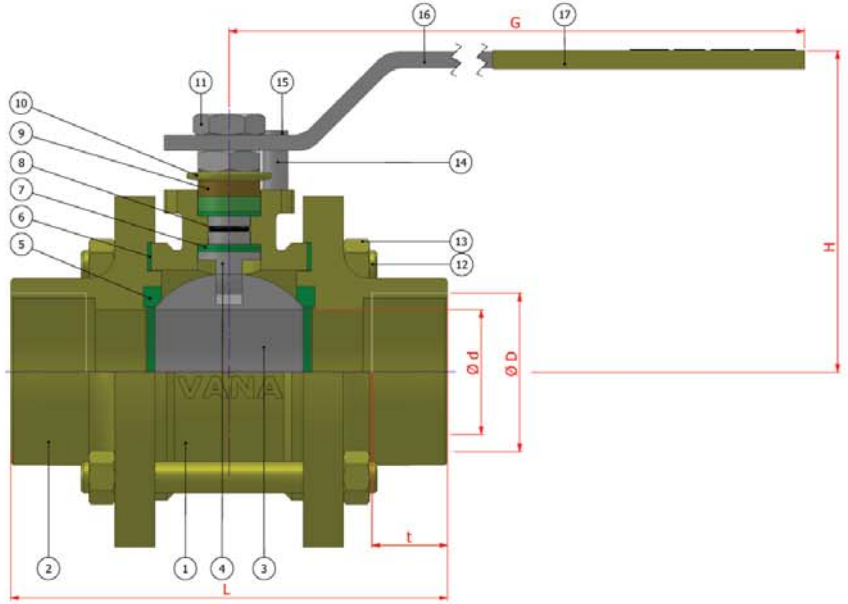
{PN 16 / PN 40}

REDÜKSİYON GEÇİŞLİ / DİŞLİ
REDUCED BORE / THREADED

| | | |
|-------------------|---------------------|---|
| Bağlantılar | Connections | : DİŞLİ / THREADED DIN 2999 / EN 10226-1 |
| Çalışma Basıncı | Working Pressure | : PN 16 - PN 40 |
| Çalışma Sıcaklığı | Working Temperature | : -30 °C / + 180 °C |
| Kullanım Alanları | Usage Areas | : Doğalgaz, LPG - LNG, Fuel-Oil, Basıncılı Hava ve Diğer Gazlar Natural Gas, LPG-LNG, Fuel-Oil, Pressurized Air and Other Gases etc. |



| MALZEME BİLGİSİ MATERIAL DATA | | | | |
|-------------------------------|-------------|-------------------------------|------------------------|-----------------------------------|
| PARÇA NO ITEM NO | ADET PCS | PARÇA ADI ITEM DESCRIPTION | MALZEME MATERIAL | |
| 17 | 1 | PLASTİK KAPLAMA | PLASTIC COVERING | PVC PVC |
| 16 | 1 | KÜRE HAREKET KOLU | BALL ACTION HANDLE | st 37 1.4301. |
| 15 | 1 | CIVATA | BOLT | ST 42 Gal. 1.4301. - 1.4401. |
| 14 | 1 | STOPLAMA PİMİ | STOPPING PIN | ST 42 Gal. 1.4301. |
| 13 | 8 | SOMUN | NUT | S.6. 1.4301. - 1.4401. |
| 12 | 4 | SAPLAMA | STOPPING PIN | CK 35 / CK 45 1.4301. |
| 11 | 2 | KONTRA SOMUN | COUNTER NUT | S.6 Gal. 1.4301. |
| 10 | 2 | ÇANAK PUL | BOYU WASHER | 50 Cr V 4 1.4301. |
| 9 | 1 | BASKI RİNGİ | PRESSURE RING | MS 58 1.4301. - 1.4401. |
| 8 | 1 | MİL O-RİNG | SPINDLE O-RING | VİTON VİTON |
| 7 | 4 | BÖĞAZ SIZDIRMAZLIK TEFLONU | NECK TIGHTNESS ELEMENT | PTFE-Teflon PTFE-Teflon |
| 6 | 2 | GÖVDE SIZDIRMAZLIK TEFLONU | BODY TIGHTNESS ELEMENT | PTFE-Teflon PTFE-Teflon |
| 5 | 2 | KÜRE SIZDIRMAZLIK TEFLONU | BALL TIGHTNESS ELEMENT | PTFE-Teflon PTFE-Teflon |
| 4 | 1 | HAREKET MİLİ | ACTION SPINDLE | 1.4021 1.4301. - 1.4401. |
| 3 | 1 | KÜRE | BALL | 1.4301 / 1.4086 1.4305. - 1.4401. |
| 2 | 2 | KAPAK | COVER | A 216 WCB 1.4301. - 1.4401. |
| 1 | 1 | GÖVDE | BODY | A 216 WCB 1.4301. - 1.4401. |



| TİP TYPE | BOYUT ve BAĞLANTI ÖLÇÜLERİ (DIMENSIONS AND CONNECTION SIZES) | | | | | | | |
|--------------|--|-----|-----|----|--------|----|-------|-------|
| | | | | | | | PN 16 | PN 40 |
| BDKV-Dİ-RG | L | G | H | d | D | t | kg | Kg |
| DN 15 1/2" | 75 | 150 | 75 | 12 | 1/2" | 14 | 1,0 | 1,1 |
| DN 20 3/4" | 80 | 150 | 83 | 15 | 3/4" | 17 | 1,2 | 1,4 |
| DN 25 1" | 90 | 180 | 90 | 20 | 1" | 20 | 1,9 | 2,0 |
| DN 32 1 1/4" | 110 | 230 | 95 | 20 | 1 1/4" | 22 | 2,5 | 2,9 |
| DN 40 1 1/2" | 120 | 275 | 115 | 32 | 1 1/2" | 25 | 3,2 | 3,7 |
| DN 50 2" | 140 | 275 | 120 | 40 | 2" | 28 | 5,2 | 5,8 |