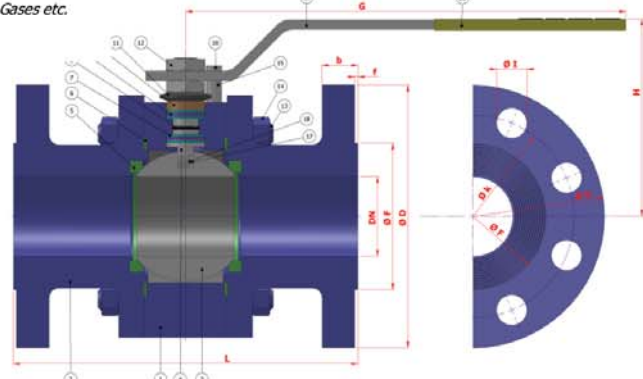


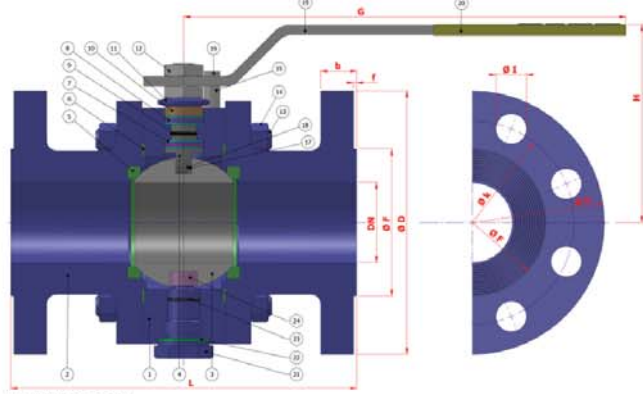
**TİP TYPE: BKV – FL – TG** {DN 15 – DN 300} {CLASS 150 ( PN20)}

TAM GEÇİŞLİ / FLANŞLI  
FULL BORE / FLANGED

Dizayn *Desing* : API 6D / ISO 14313  
Boyutlar *Dimensions* : ASME B 16.10  
Bağlantılar *Connections* : FLANŞLI / FLANGED ASME B 16.5  
Çalışma Basıncı *Working Pressure* : CLASS 150 ( PN 20 )  
Sıcaklığı *Working Temperature* : -30 °C / + 180 °C  
Kullanım Alanları *Usage Areas* : Doğalgaz, LPG - LNG, Fuel-Oil, Basıncılı Hava ve Diğer Gazlar  
*Natural Gas, LPG-LNG, Fuel-Oil, Pressurized Air and Other Gases etc.*



FLOATING



TRUNNION

| MALZEME BİLGİSİ MATERIAL DATA |             |                               |                         |                   |                   |
|-------------------------------|-------------|-------------------------------|-------------------------|-------------------|-------------------|
| PARÇA NO<br>ITEM NO           | ADET<br>PCS | PARÇA ADI<br>ITEM DESCRIPTION | MALZEME<br>MATERIAL     |                   |                   |
| 24                            | 1           | ALT YATAK TEFLONU             | BALL TIGHTNESS ELEMENT  | PTFE-Teflon       | PTFE-Teflon       |
| 23                            | 1           | ALT YATAK O-RING              | SPINDLE O-RING          | VITON             | VITON             |
| 22                            | 1           | ALT YATAK TEFLONU             | BALL TIGHTNESS ELEMENT  | PTFE-Teflon       | PTFE-Teflon       |
| 21                            | 1           | ALT YATAK                     | TRUNNION                | ASTM A 105        | 1.4301. - 1.4401. |
| 20                            | 1           | PLASTİK KAPLAMA               | PLASTIC COVERING        | PVC               | PVC               |
| 19                            | 1           | KÜRE HAREKET KOLU             | BALL ACTION HANDLE      | st 37             | 1.4301.           |
| 18                            | 1           | CIVATA                        | BOLT                    | ST 42 Gal.        | 1.4301. - 1.4401. |
| 17                            | 1           | STOPLAMA PİMİ                 | STOPPING PIN            | ST 42 Gal.        | 1.4301.           |
| 16                            | 2           | ANTİSTATİK KÜRE               | ANTISTATIC BALL         | 1.4301.           | 1.4301. - 1.4401. |
| 15                            | 2           | ANTİSTATİK YAY                | ANTISTATIC SPRING       | 1.4301.           | 1.4301. - 1.4401. |
| 14                            | 8           | SOMUN                         | NUT                     | 5.6.              | 1.4301. - 1.4401. |
| 13                            | 4           | SAPLAMA                       | STOPPING PIN            | 4140 - 5140       | 1.4301.           |
| 12                            | 2           | KONTRA SOMUN                  | COUNTER NUT             | 5,6 Gal.          | 1.4301.           |
| 11                            | 2           | ÇANAK PUL                     | BOWL WASHER             | 50 Cr V 4         | 1.4301.           |
| 10                            | 1           | BASKI RİNGİ                   | PRESSURE RING           | MS 58             | 1.4301. - 1.4401. |
| 9                             | 1           | MİLO-RİNG                     | SPINDLE O-RING          | VITON             | VITON             |
| 8                             | 2           | BURGMAN GRAFİT O-RİNG         | BURGMAN GRAPHITE O-RING | EN 1514-1         | EN 1514-1         |
| 7                             | 4           | BOĞAZ SIZDIRMAZLIK TEFLONU    | NECK TIGHTNESS ELEMENT  | PTFE-Teflon       | PTFE-Teflon       |
| 6                             | 2           | GÖVDE SIZDIRMAZLIK TEFLONU    | BODY TIGHTNESS ELEMENT  | PTFE-Teflon       | PTFE-Teflon       |
| 5                             | 2           | KÜRE SIZDIRMAZLIK TEFLONU     | BALL TIGHTNESS ELEMENT  | PTFE-Teflon       | PTFE-Teflon       |
| 4                             | 1           | HAREKET MİLİ                  | ACTION SPINDLE          | 1.4021            | 1.4301. - 1.4401. |
| 3                             | 1           | KÜRE                          | BALL                    | 1.4301 / 1.4086   | 1.4305. - 1.4401. |
| 2                             | 2           | KAPAK                         | COVER                   | A 216 WCB / A 105 | 1.4301. - 1.4401. |
| 1                             | 1           | GÖVDE                         | BODY                    | A 216 WCB / A 105 | 1.4301. - 1.4401. |

| TİP<br>TYPE  | BOYUT ve BAĞLANTI ÖLÇÜLERİ ( DIMENSIONS AND CONNECTION SIZES ) |      |     |   |     |      |       |              |      |       |    |
|--------------|--|------|-----|---|-----|------|-------|--------------|------|-------|----|
|              | CLASS 150  |      |     |   |     |      |       |              |      |       |    |
|              | L  | G    | H   | f | D   | b    | k     | Hole<br>Unit | I    | F     | kg |
| DN 15 1/2"   | 108  | 150  | 75  | 2 | 90  | 11,2 | 60,0  | 4            | 16,0 | 35,1  |    |
| DN 20 3/4"   | 118  | 150  | 83  | 2 | 100 | 12,7 | 70,0  | 4            | 16,0 | 42,9  |    |
| DN 25 1"     | 127  | 180  | 90  | 2 | 110 | 14,3 | 79,4  | 4            | 16,0 | 50,8  |    |
| DN 32 1 1/4" | 140  | 230  | 95  | 2 | 115 | 15,9 | 89,0  | 4            | 16,0 | 63,5  |    |
| DN 40 1 1/2" | 165  | 275  | 115 | 2 | 125 | 17,5 | 98,4  | 4            | 16,0 | 73,2  |    |
| DN 50 2"     | 178  | 275  | 120 | 2 | 150 | 19,1 | 120,6 | 4            | 19,0 | 91,9  |    |
| DN 65 2 1/2" | 190  | 320  | 135 | 2 | 180 | 22,4 | 139,7 | 4            | 19,0 | 104,6 |    |
| DN 80 3"     | 203  | 380  | 150 | 2 | 190 | 23,9 | 152,4 | 4            | 19,0 | 127,0 |    |
| DN 100 4"    | 229  | 450  | 170 | 2 | 230 | 23,9 | 190,5 | 8            | 19,0 | 157,2 |    |
| DN 125 5"    | 356  | 450  | 200 | 2 | 255 | 23,8 | 216,0 | 8            | 22,4 | 185,7 |    |
| DN 150 6"    | 394  | 650  | 235 | 2 | 280 | 25,4 | 241,3 | 8            | 22,4 | 215,9 |    |
| DN 200 8"    | 458  | 900  | 270 | 2 | 345 | 28,6 | 298,4 | 8            | 22,4 | 269,7 |    |
| DN 250 10"   | 534  | 1100 | 370 | 2 | 405 | 30,2 | 362,0 | 12           | 25,4 | 323,9 |    |
| DN 300 12"   | 610  | 1100 | 400 | 2 | 485 | 31,8 | 431,0 | 12           | 25,4 | 381,0 |    |