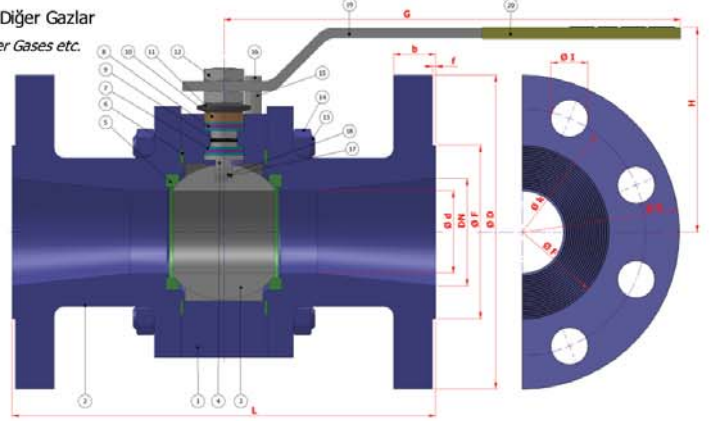


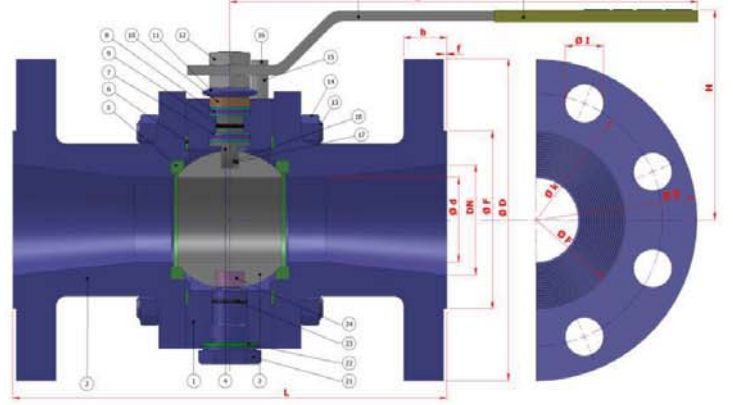
TİP TYPE : BKV – FL – RG {DN 15 – DN 300} {CLASS 150 (PN20)}

REDÜKSİYON GEÇİŞLİ / FLANŞLI
REDUCED BORE / FLANGED

Dizayn *Desing* : API 6D / ISO 14313
Boyutlar *Dimensions* : ASME B 16.10
Bağlantılar *Connections* : FLANŞLI / FLANGED ASME B 16.5
Çalışma Basıncı *Working Pressure* : CLASS 150 (PN 20)
Çalışma Sıcaklığı *Working Temperature* : -30 °C / + 180 °C
Kullanım Alanları *Usage Areas* : Doğalgaz, LPG - LNG, Fuel-Oil, Basıncılı Hava ve Diğer Gazlar
Natural Gas, LPG-LNG, Fuel-Oil, Pressurized Air and Other Gases etc.



FLOATING



TRUNNION

MALZEME BİLGİSİ MATERIAL DATA					
PARÇA NO ITEM NO	ADET PCS	PARÇA ADI ITEM DESCRIPTION	MALZEME MATERIAL		
24	1	ALT YATAK TEFLONU	BALL TIGHTNESS ELEMENT	PTFE-Teflon	PTFE-Teflon
23	1	ALT YATAK O-RING	SPINDLE O-RING	VITON	VITON
22	1	ALT YATAK TEFLONU	BALL TIGHTNESS ELEMENT	PTFE-Teflon	PTFE-Teflon
21	1	ALT YATAK	TRUNNION	ASTM A 105	1.4301. - 1.4401.
20	1	PLASTİK KAPLAMA	PLASTIC COVERING	PVC	PVC
19	1	KÜRE HAREKET KOLU	BALL ACTION HANDLE	st 37	1.4301.
18	1	CIVATA	BOLT	ST 42 Gal.	1.4301. - 1.4401.
17	1	STOPLAMA PİMİ	STOPPING PIM	ST 42 Gal.	1.4301.
16	2	ANTİSTATİK KÜRE	ANTISTATIC BALL	1.4301.	1.4301. - 1.4401.
15	2	ANTİSTATİK YAY	ANTISTATIC SPRING	1.4301.	1.4301. - 1.4401.
14	8	SOMUN	NUT	5.6.	1.4301. - 1.4401.
13	4	SAPLAMA	STOPPING PIM	4140 - 5140	1.4301.
12	2	KONTRA SOMUN	COUNTER NUT	5,6 Gal.	1.4301.
11	2	ÇANAK PUL	BOWL WASHER	50 Cr V 4	1.4301.
10	1	BASKI RİNGİ	PRESSURE RING	MS 58	1.4301. - 1.4401.
9	1	MİLO-RİNG	SPINDLE O-RING	VITON	VITON
8	2	BURGMAN GRAFİT O-RİNG	BURGMAN GRAPHITE O-RING	EN 1514-1	EN 1514-1
7	4	BOĞAZ SIZDIRMAZLIK TEFLONU	NECK TIGHTNESS ELEMENT	PTFE-Teflon	PTFE-Teflon
6	2	GÖVDE SIZDIRMAZLIK TEFLONU	BODY TIGHTNESS ELEMENT	PTFE-Teflon	PTFE-Teflon
5	2	KÜRE SIZDIRMAZLIK TEFLONU	BALL TIGHTNESS ELEMENT	PTFE-Teflon	PTFE-Teflon
4	1	HAREKET MİLİ	ACTION SPINDLE	1,4021	1.4301. - 1.4401.
3	1	KÜRE	BALL	1.4301 / 1.4086	1.4305. - 1.4401.
2	2	KAPAK	COVER	A 216 WCB / A 105	1.4301. - 1.4401.
1	1	GÖVDE	BODY	A 216 WCB / A 105	1.4301. - 1.4401.

TİP TYPE	BOYUT ve BAĞLANTI ÖLÇÜLERİ (DIMENSIONS AND CONNECTION SIZES)											
	CLASS 150											
BKV-FL-RG	L	G	H	f	d	D	b	k	Hole Unit	I	F	kg
DN 15 1/2"	108	150	75	2	12	90	11,2	60,0	4	16,0	35,1	
DN 20 3/4"	118	150	75	2	15	100	12,7	70,0	4	16,0	42,9	
DN 25 1"	127	150	83	2	20	110	14,3	79,4	4	16,0	50,8	
DN 32 1 1/4"	140	180	90	2	25	115	15,9	89,0	4	16,0	63,5	
DN 40 1 1/2"	165	230	95	2	32	125	17,5	98,4	4	16,0	73,2	
DN 50 2"	178	275	115	2	40	150	19,1	120,6	4	19,0	91,9	
DN 65 2 1/2"	190	275	120	2	50	180	22,4	139,7	4	19,0	104,6	
DN 80 3"	203	320	135	2	65	190	23,9	152,4	4	19,0	127,0	
DN 100 4"	229	380	150	2	80	230	23,9	190,5	8	19,0	157,2	
DN 125 5"	356	450	170	2	100	255	23,8	216,0	8	22,4	185,7	
DN 150 6"	394	450	200	2	125	280	25,4	241,3	8	22,4	215,9	
DN 200 8"	458	650	235	2	150	345	28,6	298,4	8	22,4	269,7	
DN 250 10"	534	900	270	2	200	405	30,2	362,0	12	25,4	323,9	
DN 300 12"	610	1100	370	2	250	485	31,8	431,0	12	25,4	381,0	