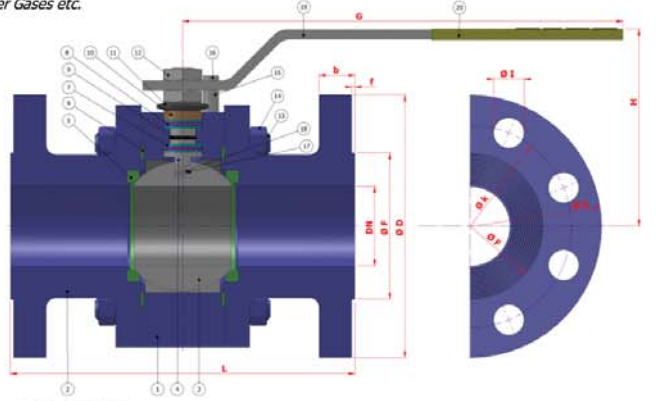


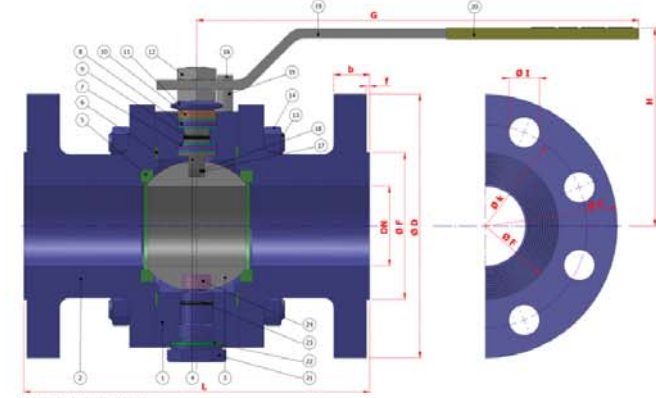
TİP TYPE: BKV – FL – TG {DN 15 – DN 200} {CLASS 900 (PN150)}

TAM GEÇİŞLİ / FLANŞLI
FULL BORE / FLANGED

Dizayn	Desing	: API 6D / ISO 14313
Boyutlar	Dimensions	: ASME B 16.10
Bağlantılar	Connections	: FLANŞLI / FLANGED ASME B 16.5
Çalışma Basıncı	Working Pressure	: CLASS 900 (PN 150)
Çalışma Sıcaklığı	Working Temperature	: -30 °C / + 180 °C
Kullanım Alanları	Usage Areas	: Doğalgaz, LPG - LNG, Fuel-Oil, Basıncılı Hava ve Diğer Gazlar Natural Gas, LPG-LNG, Fuel-Oil, Pressurized Air and Other Gases etc.



FLOATING



TRUNNION

MALZEME BİLGİSİ MATERIAL DATA					
PARÇA NO ITEM NO	ADET PCS	PARÇA ADI ITEM DESCRIPTION	MALZEME MATERIAL		
24	1	ALT YATAK TEFLONU	BALL TIGHTNESS ELEMENT	PTFE-Teflon	PTFE-Teflon
23	1	ALT YATAK O-RING	SPINDLE O-RING	VITON	VITON
22	1	ALT YATAK TEFLONU	BALL TIGHTNESS ELEMENT	PTFE-Teflon	PTFE-Teflon
21		ALT YATAK	TRUNNION	ASTM A 105	1.4301. - 1.4401.
20	1	PLASTİK KAPLAMA	PLASTIC COVERING	PVC	PVC
19	1	KÜRE HAREKET KOLU	BALL ACTION HANDLE	st 37	1.4301.
18	1	CIVATA	ROKT	ST 42 Gal.	1.4301. - 1.4401.
17	1	STOPLAMA PİMİ	STOPPING PIN	ST 42 Gal.	1.4301.
16	2	ANTİSTATİK KÜRE	ANTISTATIC BALL	1.4301.	1.4301. - 1.4401.
15	2	ANTİSTATİK YAY	ANTISTATIC SPRING	1.4301.	1.4301. - 1.4401.
14	8	SÖMÜN	NUT	5.6.	1.4301. - 1.4401.
13	4	SAPLAMA	STOPPING PIN	4140 - 5140	1.4301.
12	2	KONTRA SÖMÜN	COUNTER NUT	5,6 Gal.	1.4301.
11	2	ÇANAK PUL	BOHLE WASHER	50 Cr V 4	1.4301.
10	1	BASKI RİNGİ	PRESSURE RING	MS 58	1.4301. - 1.4401.
9	1	MİL O-RİNG	SPINDLE O-RING	VITON	VITON
8	2	BURGMAN GRAFİT O-RİNG	BURGMAN GRAPHITE O-RING	EN 1514-1	EN 1514-1
7	4	BOĞAZ SIZDIRMAZLIK TEFLONU	NECK TIGHTNESS ELEMENT	PTFE-Teflon	PTFE-Teflon
6	2	GÖVDE SIZDIRMAZLIK TEFLONU	BODY TIGHTNESS ELEMENT	PTFE-Teflon	PTFE-Teflon
5	2	KÜRE SIZDIRMAZLIK TEFLONU	BALL TIGHTNESS ELEMENT	PTFE-Teflon	PTFE-Teflon
4	1	HAREKET MİLİ	ACTION SPINDLE	1,4021	1.4301. - 1.4401.
3	1	KÜRE	BALL	1.4301 / 1.4086	1.4305. - 1.4401.
2	2	KAPAK	COVER	A 216 WCB / A 105	1.4301. - 1.4401.
1	1	GÖVDE	BODY	A 216 WCB / A 105	1.4301. - 1.4401.

TİP TYPE	BOYUT ve BAĞLANTI ÖLÇÜLERİ (DIMENSIONS AND CONNECTION SIZES)										
	CLASS 900										
BKV-FL-TG	L	G	H	f	D	b	k	Hole Unit	I	F	kg
DN 15	1/2"	216	150	75	7	120	29,3	82,6	4	22,4	35,1
DN 20	3/4"	229	150	83	7	130	32,4	88,9	4	22,4	42,9
DN 25	1"	254	180	90	7	150	35,6	101,6	4	25,4	50,8
DN 32	1 1/4"	279	230	95	7	160	35,6	111,1	4	25,4	63,5
DN 40	1 1/2"	305	275	115	7	180	38,8	123,8	4	28,4	73,2
DN 50	2"	368	275	120	7	215	45,1	165,1	8	25,4	91,9
DN 65	2 1/2"	419	320	135	7	245	48,3	190,5	8	28,4	104,6
DN 80	3"	381	380	150	7	240	45,1	190,5	8	25,4	127,0
DN 100	4"	457	450	170	7	290	51,5	235,0	8	31,8	157,2
DN 125	5"	545	450	200	7	350	57,8	279,4	8	35,1	185,7
DN 150	6"	610	650	235	7	380	62,6	317,5	12	31,8	215,9
DN 200	8"	737	900	270	7	470	70,5	393,7	12	38,1	269,7