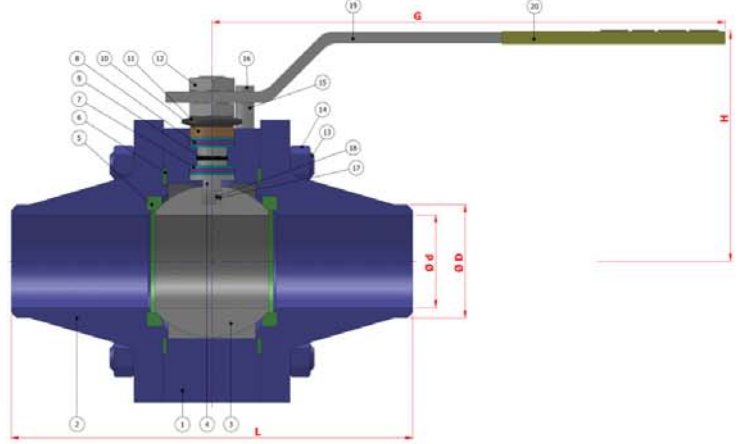


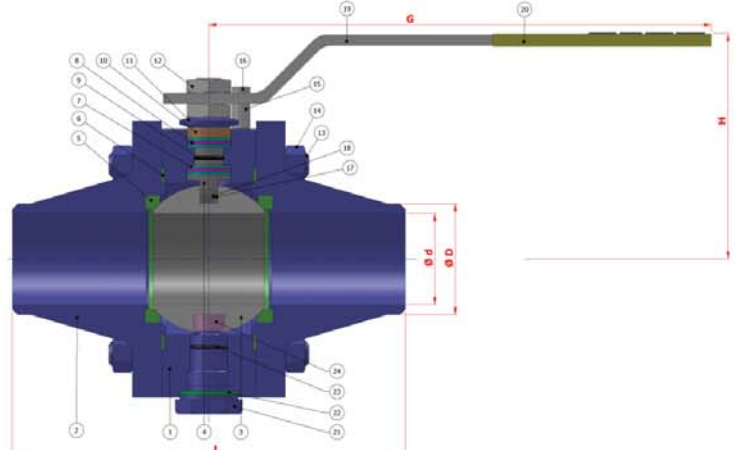
TİP TYPE: BKV – KA – TG {DN 15 – DN 200} {CLASS 150/300 (PN20/50)}

TAM GEÇİŞLİ / ALIN KAYNAKLI
FULL BORE / BUTT WELD

Dizayn	Desing	: API 6D / ISO 14313
Boyutlar	Dimensions	: ASME B 16.10
Bağlantılar	Connections	: ALIN KAYNAKLI / BUTT WELD ASME B 16.25
Çalışma Basıncı	Working Pressure	: CLASS 150 (PN 20) CLASS 300 (PN 50)
Çalışma Sıcaklığı	Working Temperature	: -30 °C / + 180 °C
Kullanım Alanları	Usage Areas	: Doğalgaz, LPG - LNG, Fuel-Oil, Basıncılı Hava ve Diğer Gazlar Natural Gas, LPG-LNG, Fuel-Oil, Pressurized Air and Other Gases etc.



FLOATING



TRUNNION

MALZEME BİLGİSİ MATERIAL DATA				
PARÇA NO ITEM NO	ADET PCS	PARÇA ADI ITEM DESCRIPTION	MALZEME MATERIAL	
24	1	ALT YATAK TEFLONU	BALL TIGHTNESS ELEMENT	PTFE-Teflon
23	1	ALT YATAK O-RING	SPINDLE O-RING	VITON
22	1	ALT YATAK TEFLONU	BALL TIGHTNESS ELEMENT	PTFE-Teflon
21	1	ALT YATAK	TRUNNION	ASTM A 105 1.4301. - 1.4401.
20	1	PLASTİK KAPLAMA	PLASTIC COVERING	PVC
19	1	KÜRE HAREKET KOLU	BALL ACTION HANDLE	st 37 1.4301.
18	1	CİVATA	BOLT	ST 42 Gal. 1.4301. - 1.4401.
17	1	STOPLAMA PİMİ	STOPPING PIN	ST 42 Gal. 1.4301.
16	2	ANTİSTATİK KÜRE	ANTISTATIC BALL	1.4301. 1.4301. - 1.4401.
15	2	ANTİSTATİK YAY	ANTISTATIC SPRING	1.4301. 1.4301. - 1.4401.
14	8	SOMUN	NUT	5.6. 1.4301. - 1.4401.
13	4	SAPLAMA	STOPPING PIN	4140 - S140 1.4301.
12	2	KONTRA SOMUN	COUNTER NUT	5,6 Gal. 1.4301.
11	2	ÇANAK PUL	BOYAL WASHER	50 Cr V 4 1.4301.
10	1	BASKI RİNGİ	PRESSURE RING	MS 58 1.4301. - 1.4401.
9	1	MİL O-RING	SPINDLE O-RING	VITON
8	2	BURGMAN GRAFİT O-RING	BURGMAN GRAPHITE O-RING	EN 1514-1 EN 1514-1
7	4	BOĞAZ SIZDIRMAZLIK TEFLONU	NECK TIGHTNESS ELEMENT	PTFE-Teflon
6	2	GÖVDE SIZDIRMAZLIK TEFLONU	BODY TIGHTNESS ELEMENT	PTFE-Teflon
5	2	KÜRE SIZDIRMAZLIK TEFLONU	BALL TIGHTNESS ELEMENT	PTFE-Teflon
4	1	HAREKET MİLİ	ACTION SPINDLE	1,4021 1.4301. - 1.4401.
3	1	KÜRE	BALL	1.4301 / 1.4086 1.4305. - 1.4401.
2	2	KAPAK	COVER	A 216 WCB / A 105 1.4301. - 1.4401.
1	1	GÖVDE	BODY	A 216 WCB / A 105 1.4301. - 1.4401.

TİP TYPE	BOYUT ve BAĞLANTI ÖLÇÜLERİ (DIMENSIONS AND CONNECTION SIZES)					
	CLASS 150 / 300					
	L	G	H	d	D	kg
BKV-KA-TG						
DN 15 1/2"	140	150	75	15	21,3	
DN 20 3/4"	152	150	83	20	26,7	
DN 25 1"	165	180	90	25	33,4	
DN 32 1 1/4"	178	230	95	32	42,2	
DN 40 1 1/2"	190	275	115	40	48,3	
DN 50 2"	216	275	120	50	60,3	
DN 65 2 1/2"	241	320	135	65	76,1	
DN 80 3"	283	380	150	80	88,1	
DN 100 4"	305	450	170	100	114,3	
DN 125 5"	356	450	200	125	139,7	
DN 150 6"	457	650	235	150	168,3	
DN 200 8"	521	900	270	200	219,1	