

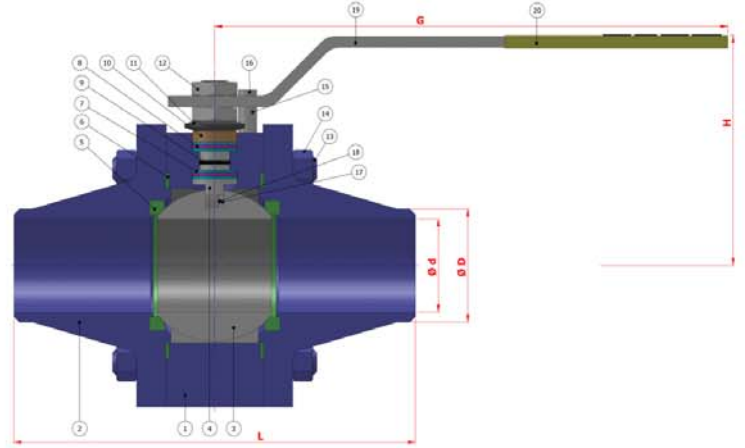
TİP TYPE : BKV – KA – RG {DN 15 – DN 100} {CLASS 600(PN100)}

REDÜKSİYON GEÇİŞLİ / ALIN KAYNAKLI
REDUCED BORE / BUTT WELD

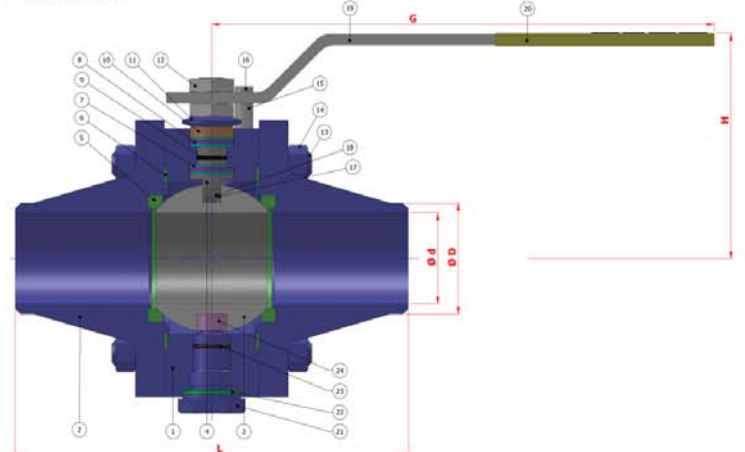
Dizayn	Desing	: API 6D / ISO 14313
Boyutlar	Dimensions	: ASME B 16.10
Bağlantılar	Connections	: ALIN KAYNAKLI / BUTT WELD ASME B 16.25
Çalışma Basıncı	Working Pressure	: CLASS 600 (PN 100)
Çalışma Sıcaklığı	Working Temperature	: -30 °C / + 180 °C
Kullanım Alanları	Usage Areas	: Doğalgaz, LPG - LNG, Fuel-Oil, Basıncılı Hava ve Diğer Gazlar Natural Gas, LPG-LNG, Fuel-Oil, Pressurized Air and Other Gases etc.



MALZEME BİLGİSİ MATERIAL DATA					
PARÇA NO ITEM NO.	ADET PCS	PARÇA ADI ITEM DESCRIPTION	MALZEME MATERIAL		
24	1	ALT YATAK TEFLONU	BALL TIGHTNESS ELEMENT	PTFE-Teflon	PTFE-Teflon
23	1	ALT YATAK O-RING	SPINDLE O-RING	VITON	VITON
22	1	ALT YATAK TEFLONU	BALL TIGHTNESS ELEMENT	PTFE-Teflon	PTFE-Teflon
21	1	ALT YATAK	TRUNNION	ASTM A 105	1.4301 - 1.4401.
20	1	PLASTİK KAPLAMA	PLASTIC COVERING	PVC	PVC
19	1	KÜRE HAREKET KOLU	BALL ACTION HANDLE	st 37	1.4301.
18	1	CİVATA	BOLT	ST 42 Gal.	1.4301. - 1.4401.
17	1	STOPLAMA PİMİ	STOPPING PIN	ST 42 Gal.	1.4301.
16	2	ANTİSTATİK KÜRE	ANTISTATIC BALL	1.4301.	1.4301. - 1.4401.
15	2	ANTİSTATİK YAY	ANTISTATIC SPRING	1.4301.	1.4301. - 1.4401.
14	8	SOMUN	NUT	5,6.	1.4301. - 1.4401.
13	4	SAPLAMA	STOPPING PIN	4140 - 5140	1.4301.
12	2	KONTRA SOMUN	COUNTER NUT	5,6 Gal.	1.4301.
11	2	ÇANAK PUL	ROWE MESHER	50 Cr V 4	1.4301.
10	1	BASKI RİNGİ	PRESSURE RING	MS 58	1.4301. - 1.4401.
9	1	MİL O-RING	SPINDLE O-RING	VITON	VITON
8	2	BURGHAN GRAFİT O-RING	BURGHAN GRAPHITE O-RING	EN 1514-1	EN 1514-1
7	4	BOĞAZ SIZDIRMAZLIK TEFLONU	NECK TIGHTNESS ELEMENT	PTFE-Teflon	PTFE-Teflon
6	2	GÖVDE SIZDIRMAZLIK TEFLONU	BODY TIGHTNESS ELEMENT	PTFE-Teflon	PTFE-Teflon
5	2	KÜRE SIZDIRMAZLIK TEFLONU	BALL TIGHTNESS ELEMENT	PTFE-Teflon	PTFE-Teflon
4	1	HAREKET MİLİ	ACTION SPINDLE	1,4021	1.4301. - 1.4401.
3	1	KÜRE	BALL	1.4301 / 1.4066	1.4305. - 1.4401.
2	2	KAPAK	COVER	A 216 WCB / A 105	1.4301. - 1.4401.
1	1	GÖVDE	BODY	A 216 WCB / A 105	1.4301. - 1.4401.



FLOATING



TRUNNION

TİP TYPE	BOYUT ve BAĞLANTI ÖLÇÜLERİ (DIMENSIONS AND CONNECTION SIZES)					
	CLASS 600					
	L	G	H	d	D	kg
BKV-KA-RG						
DN 15	1/2"	165	150	75	12	21,3
DN 20	3/4"	190	150	75	15	26,7
DN 25	1"	216	150	83	20	33,4
DN 32	1 1/4"	229	180	90	25	42,2
DN 40	1 1/2"	241	230	95	32	48,3
DN 50	2"	292	275	115	40	60,3
DN 65	2 1/2"	330	275	120	50	76,1
DN 80	3"	356	320	135	65	88,1
DN 100	4"	432	380	150	80	114,3