

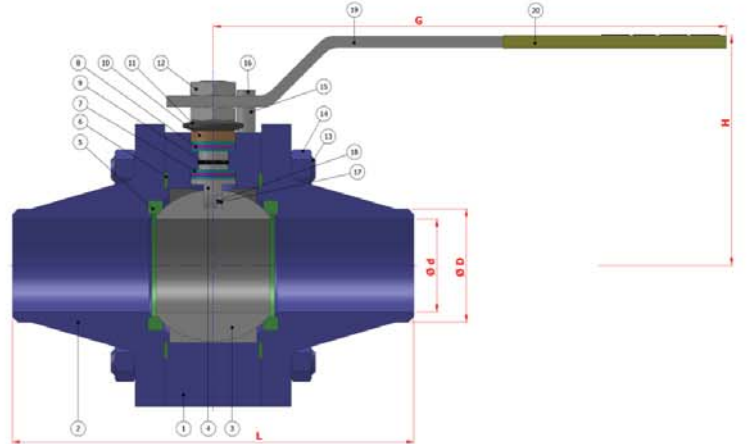
**TİP TYPE :** BKV – KA – RG {DN 15 – DN 100} {CLASS 900(PN150)}

REDÜKSİYON GEÇİŞLİ / ALIN KAYNAKLI  
REDUCED BORE / BUTT WELD

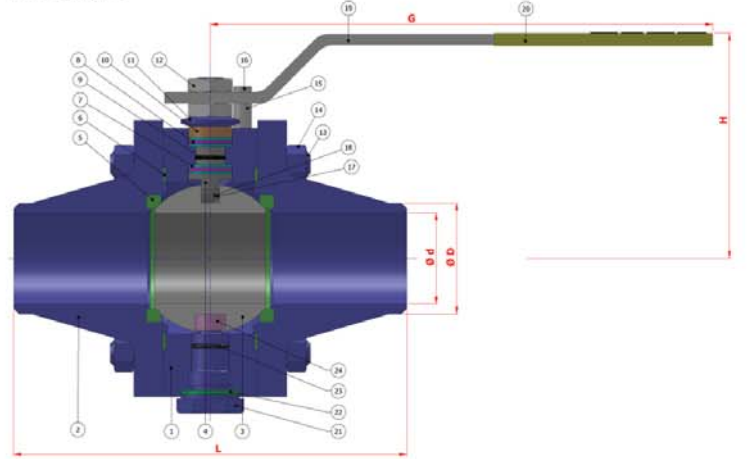
Dizayn *Design* : API 6D / ISO 14313  
Boyutlar *Dimensions* : ASME B 16.10  
Bağlantılar *Connections* : ALIN KAYNAKLI / BUTT WELD ASME B 16.25  
Çalışma Basıncı *Working Pressure* : CLASS 900 ( PN 150 )  
Çalışma Sıcaklığı *Working Temperature* : -30 °C / + 180 °C  
Kullanım Alanları *Usage Areas* : Doğalgaz, LPG - LNG, Fuel-Oil, Basıncılı Hava ve Diğer Gazlar  
*Natural Gas, LPG-LNG, Fuel-Oil, Pressurized Air and Other Gases etc.*



| MALZEME BİLGİSİ MATERIAL DATA |             |                               |                         |                   |                   |
|-------------------------------|-------------|-------------------------------|-------------------------|-------------------|-------------------|
| PARÇA NO<br>ITEM NO           | ADET<br>PCS | PARÇA ADI<br>ITEM DESCRIPTION | MALZEME<br>MATERIAL     |                   |                   |
| 24                            | 1           | ALT YATAK TEFLONU             | BALL TIGHTNESS ELEMENT  | PTFE-Teflon       | PTFE-Teflon       |
| 23                            | 1           | ALT YATAK O-RING              | SPINDLE O-RING          | VITON             | VITON             |
| 22                            | 1           | ALT YATAK TEFLONU             | BALL TIGHTNESS ELEMENT  | PTFE-Teflon       | PTFE-Teflon       |
| 21                            | 1           | ALT YATAK                     | TRUNNION                | ASTM A 105        | 1.4301. - 1.4401. |
| 20                            | 1           | PLASTİK KAPLAMA               | PLASTIC COVERING        | PVC               | PVC               |
| 19                            | 1           | KÜRE HAREKET KOLU             | BALL ACTION HANDLE      | st 37             | 1.4301.           |
| 18                            | 1           | CIVATA                        | BOLT                    | ST 42 Gal.        | 1.4301. - 1.4401. |
| 17                            | 1           | STOPLAMA PİMİ                 | STOPPING RIM            | ST 42 Gal.        | 1.4301.           |
| 16                            | 2           | ANTİSTATİK KÜRE               | ANTISTATIC BALL         | 1.4301.           | 1.4301. - 1.4401. |
| 15                            | 2           | ANTİSTATİK YAY                | ANTISTATIC SPRING       | 1.4301.           | 1.4301. - 1.4401. |
| 14                            | 8           | SÖMÜN                         | NUT                     | 5.6.              | 1.4301. - 1.4401. |
| 13                            | 4           | SAPLAMA                       | STOPPING RIM            | 4140 - 5140       | 1.4301.           |
| 12                            | 2           | KONTRA SÖMÜN                  | COUNTER NUT             | 5,6 Gal.          | 1.4301.           |
| 11                            | 2           | ÇANAK PUL                     | BOWL WASHER             | 50 Cr V 4         | 1.4301.           |
| 10                            | 1           | BASKI RİNGİ                   | PRESSURE RING           | MS 58             | 1.4301. - 1.4401. |
| 9                             | 1           | MİL O-RİNG                    | SPINDLE O-RING          | VITON             | VITON             |
| 8                             | 2           | BURGMAN GRAFİT O-RİNG         | BURGMAN GRAPHITE O-RING | EN 1514-1         | EN 1514-1         |
| 7                             | 4           | BOĞAZ SIZDIRMAZLIK TEFLONU    | NECK TIGHTNESS ELEMENT  | PTFE-Teflon       | PTFE-Teflon       |
| 6                             | 2           | GÖVDE SIZDIRMAZLIK TEFLONU    | BODY TIGHTNESS ELEMENT  | PTFE-Teflon       | PTFE-Teflon       |
| 5                             | 2           | KÜRE SIZDIRMAZLIK TEFLONU     | BALL TIGHTNESS ELEMENT  | PTFE-Teflon       | PTFE-Teflon       |
| 4                             | 1           | HAREKET MİLİ                  | ACTION SPINDLE          | 1,4021            | 1.4301. - 1.4401. |
| 3                             | 1           | KÜRE                          | BALL                    | 1.4301 / 1.4086   | 1.4305. - 1.4401. |
| 2                             | 2           | KAPAK                         | COVER                   | A 216 WCB / A 105 | 1.4301. - 1.4401. |
| 1                             | 1           | GÖVDE                         | BODY                    | A 216 WCB / A 105 | 1.4301. - 1.4401. |



FLOATING



TRUNNION

| TİP<br>TYPE  | BOYUT ve BAĞLANTI ÖLÇÜLERİ ( DIMENSIONS AND CONNECTION SIZES ) |     |     |    |       |    |
|--------------|--|-----|-----|----|-------|----|
|              | CLASS 900  |     |     |    |       |    |
| BKV-KA-RG    | L  | G   | H   | d  | D     | kg |
| DN 15 1/2"   | 216  | 150 | 75  | 12 | 21,3  |    |
| DN 20 3/4"   | 229  | 150 | 75  | 15 | 26,7  |    |
| DN 25 1"     | 254  | 150 | 83  | 20 | 33,4  |    |
| DN 32 1 1/4" | 279  | 180 | 90  | 25 | 42,2  |    |
| DN 40 1 1/2" | 305  | 230 | 95  | 32 | 48,3  |    |
| DN 50 2"     | 368  | 275 | 115 | 40 | 60,3  |    |
| DN 65 2 1/2" | 419  | 275 | 120 | 50 | 76,1  |    |
| DN 80 3"     | 381  | 320 | 135 | 65 | 88,1  |    |
| DN 100 4"    | 457  | 380 | 150 | 80 | 114,3 |    |