

TİP TYPE : BKV – FL – RG

{DN 15 – DN 300}

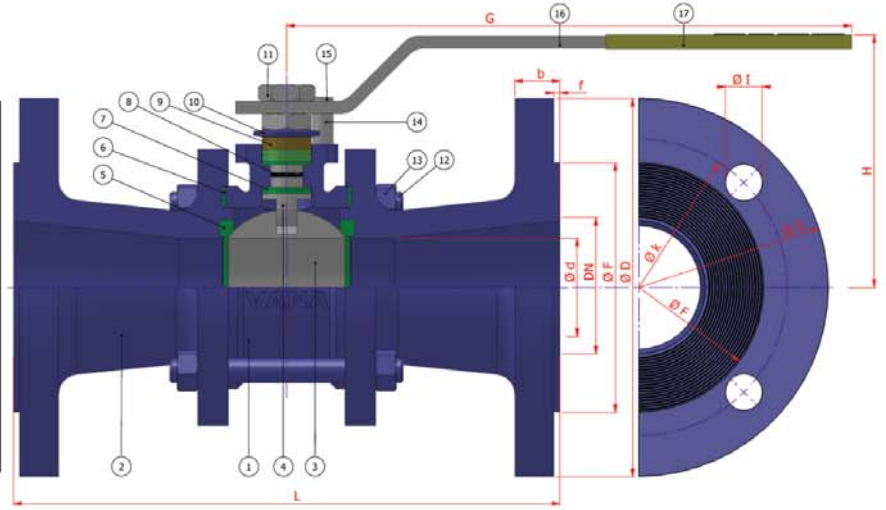
{PN 16 / PN 40}

REDÜKSİYON GEÇİŞLİ / FLANŞLI
REDUCED BORE / FLANGED

Boyutlar *Dimensions* : EN 558-1
Bağlantılar *Connections* : FLANŞLI / FLANGED EN 1092-1
Çalışma Basıncı *Working Pressure* : PN 16 / PN 40
Çalışma Sıcaklığı *Working Temperature* : -30 °C / + 180 °C
Kullanım Alanları *Usage Areas* : Su, Sıcak Su, Buhar, Basıncılı Hava
Water, Hot Water, Steam, Pressurized Air



MALZEME BİLGİSİ MATERIAL DATA					
PARÇA NO ITEM NO	ADET PCS	PARÇA ADI ITEM DESCRIPTION	MALZEME MATERIAL		
17	1	PLASTİK KAPLAMA	PLASTIC COVERING	PVC	PVC
16	1	KÜRE HAREKET KÖLÜ	BALL ACTION HANDLE	Øt 37	1.4301.
15	1	ÇİVATA	BOLT	ST 42 Gal.	1.4301. - 1.4401.
14	1	STOPLAMA PİMİ	STOPPING PIN	ST 42 Gal.	1.4301.
13	8	SOMUN	NUT	5.6.	1.4301. - 1.4401.
12	4	SARPLAMA	STOPPING PIN	CK 35 / CK 45	1.4301.
11	2	KONTRA SOMUN	COUNTER NUT	5,6 Gal.	1.4301.
10	2	ÇANAK PUL	ROWN WASHER	50 Cr V 4	1.4301.
9	1	BASKI RİNGİ	PRESSURE RING	MS 58	1.4301. - 1.4401.
8	1	MİLO-RİNG	SPINDLE O-RING	VITON	VITON
7	4	BOĞAZ SIZDIRMAZLIK TEFLONU	NECK TIGHTNESS ELEMENT	PTFE-Teflon	PTFE-Teflon
6	2	GÖVDE SIZDIRMAZLIK TEFLONU	BODY TIGHTNESS ELEMENT	PTFE-Teflon	PTFE-Teflon
5	2	KÜRE SIZDIRMAZLIK TEFLONU	BALL TIGHTNESS ELEMENT	PTFE-Teflon	PTFE-Teflon
4	1	HAREKET MİLİ	ACTION SPINDLE	1,4021	1.4301. - 1.4401.
3	1	KÜRE	BALL	1.4301 / 1.4086	1.4305. - 1.4401.
2	2	KAPAK	COVER	A 216 WCB	1.4301. - 1.4401.
1	1	GÖVDE	BODY	A 216 WCB	1.4301. - 1.4401.



TİP TYPE	BOYUT ve BAĞLANTI ÖLÇÜLERİ (DIMENSIONS AND CONNECTION SIZES)																			
	PN 16													PN 40						
BKV-FL-RG	L	G	H	f	d	D	b	k	Hole Unit	I	F	kg	D	b	k	Hole Unit	I	F	Kg	
DN 15 1/2"	130	150	75	2	12	95	14	65	4	14	45	2,0	95	16	65	4	14	45	2,7	
DN 20 3/4"	150	150	75	2	15	105	16	75	4	14	58	2,8	105	18	75	4	14	58	3,1	
DN 25 1"	160	150	83	2	20	115	16	85	4	14	68	4,1	115	18	85	4	14	68	4,4	
DN 32 1 1/4"	180	180	90	2	25	140	16	100	4	18	78	5,3	140	18	100	4	18	78	5,8	
DN 40 1 1/2"	200	230	95	3	32	150	16	110	4	18	88	7,5	150	18	110	4	18	88	7,6	
DN 50 2"	230	275	115	3	40	165	18	125	4	18	102	9,6	165	20	125	4	18	102	10,9	
DN 65 2 1/2"	290	275	120	3	50	185	18	145	4	18	122	12,5	185	22	145	8	18	122	14,5	
DN 80 3"	310	320	135	3	65	200	20	160	8	18	138	16,3	200	24	160	8	18	138	18,8	
DN 100 4"	350	380	150	3	80	220	20	180	8	18	158	28,0	235	24	190	8	22	162	34,7	
DN 125 5"	400	450	170	3	100	250	22	210	8	18	188	37,0	270	26	220	8	26	188	42,0	
DN 150 6"	450	450	200	3	125	285	22	240	8	22	212	50,0	300	28	250	8	26	218	84,0	
DN 200 8"	550	650	235	3	150	340	24	295	12	22	268	80,0	375	34	320	12	30	285	92,0	
DN 250 10"	650	900	270	3	200	405	26	355	12	26	320	160,0	450	38	385	12	30	345	195,0	
DN 300 12"	750	1100	370	4	250	460	28	410	12	26	378	-	515	42	450	16	33	410	-	

