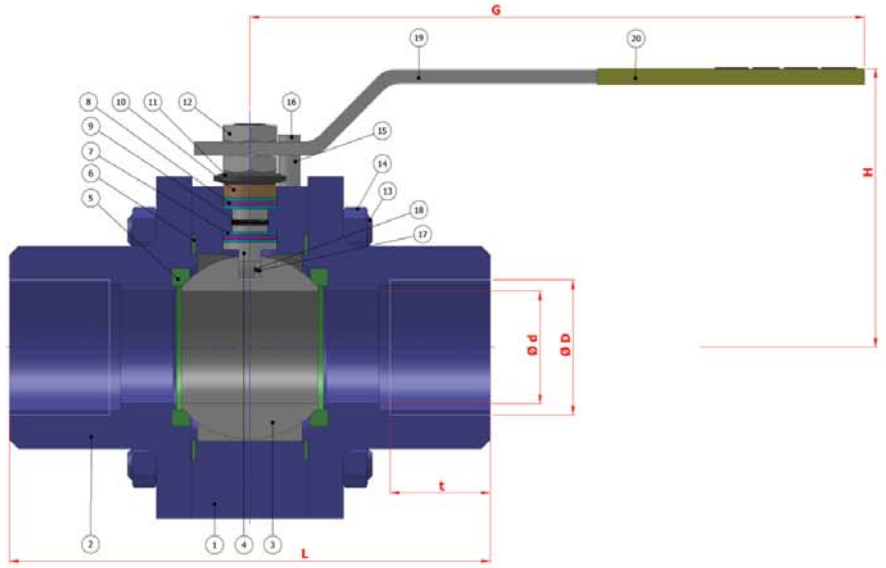


TİP TYPE: BKV – Dİ – TG {R 1/2" – R 2"} {PN 100}

TAM GEÇİŞLİ / DIŞLI
FULL BORE / THREADED

Boyutlar *Dimensions* : BATUSAN ÖZEL / SPECIAL
Bağlantılar *Connections* : DIŞLI / THREADED DIN 2999 / EN 10226-1
Çalışma Basıncı *Working Pressure* : PN 100
Çalışma Sıcaklığı *Working Temperature* : -30 °C / + 180 °C
Kullanım Alanları *Usage Areas* : Su, Sıcak Su, Buhar, Basıncılı Hava
Water, Hot Water, Steam, Pressurized Air



| MALZEME BİLGİSİ / MATERIAL DATA | | | | |
|---------------------------------|------------|------------------------------|-------------------------|-----------------------------------|
| PARÇA NO / ITEM NO | ADET / PCS | PARÇA ADI / ITEM DESCRIPTION | MALZEME / MATERIAL | |
| 20 | 1 | PLASTİK KAPLAMA | PLASTIC COVERING | PVC |
| 19 | 1 | KÜRE HAREKET KOLLU | BALL ACTION HANDLE | st 37 1.4301. |
| 18 | 1 | CIVATA | BOLT | ST 42 Gal. 1.4301. - 1.4401. |
| 17 | 1 | STOPLAMA PİMİ | STOPPING PIN | ST 42 Gal. 1.4301. |
| 16 | 2 | ANTİSTATİK KÜRE | ANTISTATIC BALL | 1.4301. 1.4301. - 1.4401. |
| 15 | 2 | ANTİSTATİK YAY | ANTISTATIC SPRING | 1.4301. 1.4301. - 1.4401. |
| 14 | 8 | SOMUN | NUT | 5.6. 1.4301. - 1.4401. |
| 13 | 4 | SAPLAMA | STOPPING PIN | 4140 - 5140 1.4301. |
| 12 | 2 | KONTRA SOMUN | COUNTER NUT | 5,6 Gal. 1.4301. |
| 11 | 2 | ÇANAK PUL | BORE WASHER | 50 Cr V 4 1.4301. |
| 10 | 1 | BASKI RİNGİ | PRESSURE RING | HS 50 1.4301. - 1.4401. |
| 9 | 1 | MİL O-RİNG | SPINDLE O-RING | VITON VITON |
| 8 | 2 | BURGMAN GRAFİT O-RİNG | BURGMAN GRAPHITE O-RING | EN 1514-1 EN 1514-1 |
| 7 | 4 | BOĞAZ SIZDIRMAZLIK TEFLONU | NECK TIGHTNESS ELEMENT | PTFE-Teflon PTFE-Teflon |
| 6 | 2 | GÖVDE SIZDIRMAZLIK TEFLONU | BODY TIGHTNESS ELEMENT | PTFE-Teflon PTFE-Teflon |
| 5 | 2 | KÜRE SIZDIRMAZLIK TEFLONU | BALL TIGHTNESS ELEMENT | PTFE-Teflon PTFE-Teflon |
| 4 | 1 | HAREKET MİLİ | ACTION SPINDLE | 1.4021 1.4301. - 1.4401. |
| 3 | 1 | KÜRE | BALL | 1.4301 / 1.4086 1.4305. - 1.4401. |
| 2 | 2 | KAPAK | COVER | SAE 1020 1.4301. - 1.4401. |
| 1 | 1 | GÖVDE | BODY | SAE 1020 1.4301. - 1.4401. |

| TİP TYPE | BOYUT ve BAĞLANTI ÖLÇÜLERİ (DIMENSIONS AND CONNECTION SIZES) | | | | | | | |
|--------------|--|-----|-----|----|--------|----|----|--|
| | PN 100 | | | | | | | |
| | L | G | H | d | D | t | kg | |
| BKV-Dİ-TG | | | | | | | | |
| DN 15 1/2" | 110 | 150 | 75 | 15 | 1/2" | 14 | - | |
| DN 20 3/4" | 130 | 150 | 83 | 20 | 3/4" | 17 | - | |
| DN 25 1" | 145 | 180 | 90 | 20 | 1" | 20 | - | |
| DN 32 1 1/4" | 160 | 230 | 95 | 32 | 1 1/4" | 22 | - | |
| DN 40 1 1/2" | 170 | 275 | 115 | 40 | 1 1/2" | 25 | - | |
| DN 50 2" | 185 | 275 | 120 | 50 | 2" | 28 | - | |