

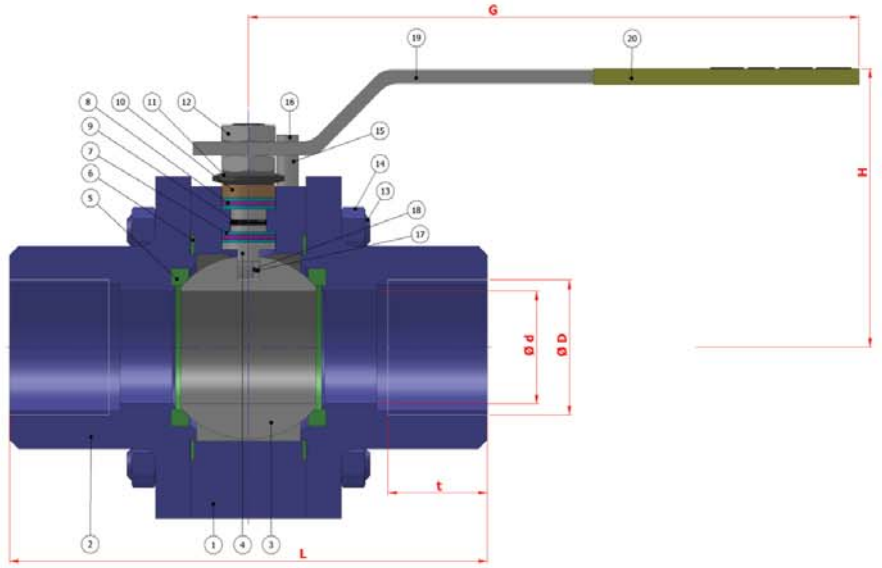
TİP TYPE: BKV – Dİ – TG {R 1/2" – R 2"} {PN 150}

TAM GEÇİŞLİ / DIŞLI
FULL BORE / THREADED

| | | |
|-------------------|---------------------|---|
| Boyutlar | Dimensions | : BATUSAN ÖZEL / SPECIAL |
| Bağlantılar | Connections | : DIŞLI / THREADED DIN 2999 / EN 10226-1 |
| Çalışma Basıncı | Working Pressure | : PN 150 |
| Çalışma Sıcaklığı | Working Temperature | : -30 °C / + 180 °C |
| Kullanım Alanları | Usage Areas | : Su, Sıcak Su, Buhar, Basıncı Hava Water, Hot Water, Steam, Pressurized Air |



| MALZEME BİLGİSİ / MATERIAL DATA | | | | |
|---------------------------------|------------|------------------------------|-------------------------|-----------------------------------|
| PARÇA NO / ITEM NO | ADET / PCS | PARÇA ADI / ITEM DESCRIPTION | MALZEME / MATERIAL | |
| 20 | 1 | PLASTİK KAPLAMA | PLASTIC COVERING | PVC PVC |
| 19 | 1 | KÜRE HAREKET KOLU | BALL ACTION HANDLE | Ø 37 1.4301. |
| 18 | 1 | CIVATA | BOLT | ST 42 Gal. 1.4301. - 1.4401. |
| 17 | 1 | STOPLAMA PİMİ | STOPPING PIN | ST 42 Gal. 1.4301. |
| 16 | 2 | ANTİSTATİK KÜRE | ANTISTATIC BALL | 1.4301. 1.4301. - 1.4401. |
| 15 | 2 | ANTİSTATİK YAY | ANTISTATIC SPRING | 1.4301. 1.4301. - 1.4401. |
| 14 | 8 | SOMUN | NUT | 5.6. 1.4301. - 1.4401. |
| 13 | 4 | SAPLAMA | STOPPING PIN | 4140 - 5140 1.4301. |
| 12 | 2 | KONTRA SOMUN | COUNTER NUT | 5,6 Gal. 1.4301. |
| 11 | 2 | ÇANAK PUL | BORE WASHER | 50 Cr V 4 1.4301. |
| 10 | 1 | BASKI RİNGİ | PRESSURE RING | MS 58 1.4301. - 1.4401. |
| 9 | 1 | MİL O-RİNG | SPINDLE O-RING | VITON VITON |
| 8 | 2 | BURGMAN GRAFİT O-RİNG | BURGMAN GRAPHITE O-RING | EN 1514-1 EN 1514-1 |
| 7 | 4 | BOĞAZ SIZDIRMAZLIK TEFLONU | NECK TIGHTNESS ELEMENT | PTFE-Teflon PTFE-Teflon |
| 6 | 2 | GÖVDE SIZDIRMAZLIK TEFLONU | BODY TIGHTNESS ELEMENT | PTFE-Teflon PTFE-Teflon |
| 5 | 2 | KÜRE SIZDIRMAZLIK TEFLONU | BALL TIGHTNESS ELEMENT | PTFE-Teflon PTFE-Teflon |
| 4 | 1 | HAREKET MİLİ | ACTION SPINDLE | 1.4021 1.4301. - 1.4401. |
| 3 | 1 | KÜRE | BALL | 1.4301 / 1.4086 1.4305. - 1.4401. |
| 2 | 2 | KAPAK | COVER | SAE 1020 1.4301. - 1.4401. |
| 1 | 1 | GÖVDE | BODY | SAE 1020 1.4301. - 1.4401. |



| TİP TYPE | BOYUT ve BAĞLANTI ÖLÇÜLERİ (DIMENSIONS AND CONNECTION SIZES) | | | | | | | |
|-------------|--|-----|-----|-----|----|--------|----|----|
| | PN 150 | | | | | | | |
| BKV-Dİ-TG | | L | G | H | d | D | t | kg |
| DN 15 | 1/2" | 115 | 150 | 75 | 15 | 1/2" | 14 | - |
| DN 20 | 3/4" | 135 | 150 | 83 | 20 | 3/4" | 17 | - |
| DN 25 | 1" | 150 | 180 | 90 | 20 | 1" | 20 | - |
| DN 32 | 1 1/4" | 170 | 230 | 95 | 32 | 1 1/4" | 22 | - |
| DN 40 | 1 1/2" | 180 | 275 | 115 | 40 | 1 1/2" | 25 | - |
| DN 50 | 2" | 200 | 275 | 120 | 50 | 2" | 28 | - |