

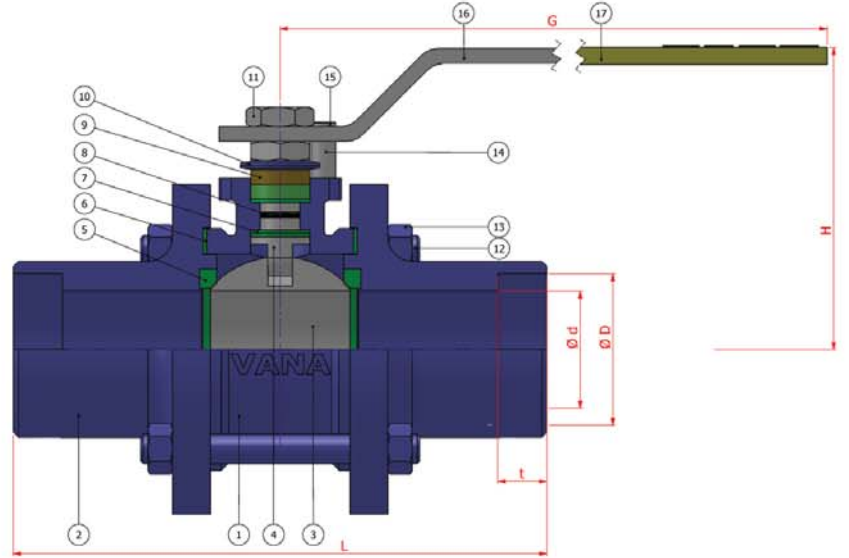
TİP TYPE : BKV – SO – TG {DN 15 – DN 125} {PN 16 / 40}

TAM GEÇİŞLİ / SOKET KAYNAKLI
FULL BORE / SOCKET WELD

Boyutlar	Dimensions	: TS EN 12982 / ASME B 16.10	
Bağlantılar	Connections	: SOKET KAYNAKLI / SOCKET WELD	ASME B 16.11
Çalışma Basıncı	Working Pressure	: PN 16 / PN 40	
Çalışma Sıcaklığı	Working Temperature	: -30 °C / + 180 °C	
Kullanım Alanları	Usage Areas	: Su, Sıcak Su, Buhar, Basıncılı Hava	Water, Hot Water, Steam, Pressurized Air



MALZEME BİLGİSİ MATERIAL DATA					
PARÇA NO ITEM NO	ADET PCS	PARÇA ADI ITEM DESCRIPTION	MALZEME MATERIAL		
17	1	PLASTİK KAPLAMA	PLASTIC COVERING	PVC	PVC
16	1	KÜRE HAREKET KOLU	BALL ACTION HANDLE	st 37	1.4301.
15	1	CİVATA	BOLT	ST 42 Gal.	1.4301. - 1.4401.
14	1	STOPLAMA PİMİ	STOPPING PIN	ST 42 Gal.	1.4301.
13	8	SOMUN	NUT	S.6.	1.4301. - 1.4401.
12	4	SAPLAMA	STOPPING PIN	CK 35 / CK 45	1.4301.
11	2	KONTRA SOMUN	COUNTER NUT	5,6 Gal.	1.4301.
10	2	ÇANAK PUL	BOHL. WASHER	50 Cr V 4	1.4301.
9	1	BASKI RİNGİ	PRESSURE RING	MS 58	1.4301. - 1.4401.
8	1	MİL O-RİNG	SPINDLE O-RING	VİTON	VİTON
7	4	BOĞAZ SIZDIRMAZLIK TEFLONU	NECK TIGHTNESS ELEMENT	PTFE-Teflon	PTFE-Teflon
6	2	GÖVDE SIZDIRMAZLIK TEFLONU	BODY TIGHTNESS ELEMENT	PTFE-Teflon	PTFE-Teflon
5	2	KÜRE SIZDIRMAZLIK TEFLONU	BALL TIGHTNESS ELEMENT	PTFE-Teflon	PTFE-Teflon
4	1	HAREKET MİLİ	ACTION SPINDLE	1.4021	1.4301. - 1.4401.
3	1	KÜRE	BALL	1.4301 / 1.4086	1.4305. - 1.4401.
2	2	KAPAK	COVER	A 216 WCB	1.4301. - 1.4401.
1	1	GÖVDE	BODY	A 216 WCB	1.4301. - 1.4401.



TİP TYPE	BOYUT ve BAĞLANTI ÖLÇÜLERİ (DIMENSIONS AND CONNECTION SIZES)							
	PN 16 / PN 40						PN 16	PN 40
BKV-SO-TG	L	G	H	d	D	t	kg	Kg
DN 6 1/8"	140	150	75	8	10,7	10,0	1	1,2
DN 8 1/4"	140	150	75	10	14,3	10,0	1,2	1,3
DN 10 3/8"	140	150	75	10	17,6	10,0	1,4	1,5
DN 15 1/2"	140	150	75	15	21,8	10,0	1,5	1,6
DN 20 3/4"	152	150	83	20	27,4	13,0	2	2,1
DN 25 1"	165	180	90	25	34,1	13,0	2,5	2,6
DN 32 1 1/4"	178	230	95	32	42,8	13,0	4,5	5
DN 40 1 1/2"	190	275	115	40	48,8	16,0	6,5	7
DN 50 2"	216	275	120	50	61,8	16,0	9	9,2
DN 65 2 1/2"	241	320	135	65	77,0	16,0	13	13,5
DN 80 3"	283	380	150	80	90,0	16,0	15	15,5
DN 100 4"	305	450	170	100	115,4	20,0	19	20
DN 125 5"	381	450	200	125	141,0	25,0	22	24