

TİP TYPE: BKV.3L – Dİ – TG { R 1/2" – R 4" }

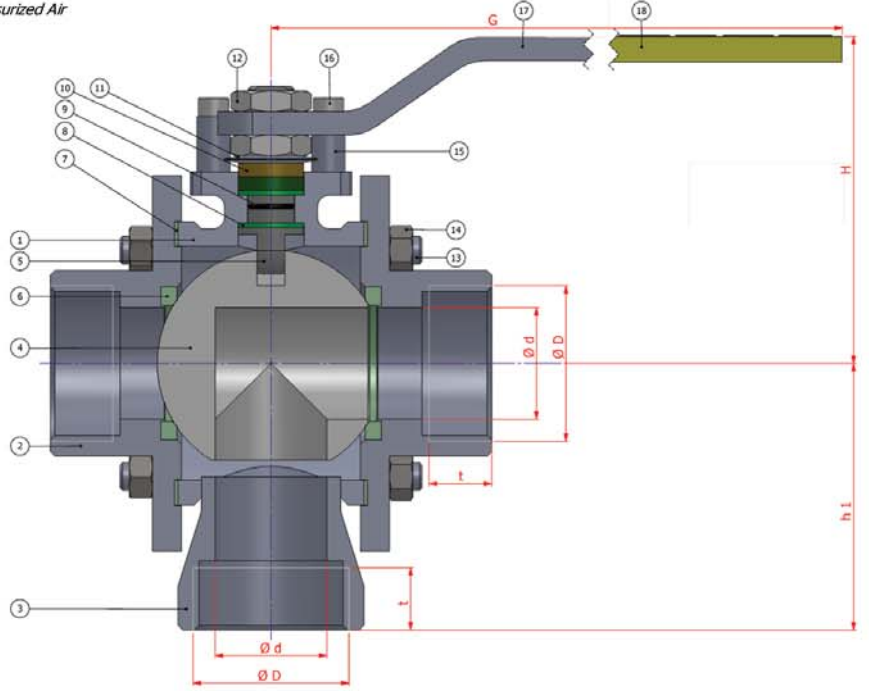
{ PN 16 / PN 40 }

TAM GEÇİŞLİ / DIŞLI
FULL BORE / THREADED

Boyutlar *Dimensions* : BATUSAN ÖZEL / SPECIAL
Bağlantılar *Connections* : DIŞLI / THREADED DIN 2999 / EN 10226-1
Çalışma Basıncı *Working Pressure* : PN 16 / PN 40
Çalışma Sıcaklığı *Working Temperature* : -30 °C / + 180 °C
Kullanım Alanları *Usage Areas* : Su, Sıcak Su, Buhar, Basıncılı Hava
Water, Hot Water, Steam, Pressurized Air



MALZEME BİLGİSİ MATERIAL DATA			
PARÇA NO ITEM NO	ADET PCS	PARÇA ADI ITEM DESCRIPTION	MALZEME MATERIAL
18	1	PLASTİK KAPLAMA	PLASTIC COVERING PVC PVC
17	1	KÜRE HAREKET KOLU	BALL ACTION HANDLE st 37 1.4301.
16	1	ÇİVATA	BOLT ST 42 Gal. 1.4301. - 1.4401.
15	1	STOPLAMA PİMİ	STOPPING PIN ST 42 Gal. 1.4301.
14	8	SOMUN	NUT S.6. 1.4301. - 1.4401.
13	4	SAPLAMA	STOPPING PIN CK 25 / CK 45 1.4301.
12	2	KONTRA SOMUN	COUNTER NUT S.6 Gal. 1.4301.
11	2	ÇANAK PUL	ROWL WASHER 50 C V 4 1.4301.
10	1	BASKI RİNGİ	BRASS RING MS 58 1.4301. - 1.4401.
9	1	MİLO-RİNG	SPINDLE O-RING VITON VITON
8	4	BOĞAZ SIZDIRMAZLIK TEFLONU	NECK TIGHTNESS ELBMENT PTFE-Teflon PTFE-Teflon
7	2	GÖVDE SIZDIRMAZLIK TEFLONU	BODY TIGHTNESS ELBMENT PTFE-Teflon PTFE-Teflon
6	2	KÜRE SIZDIRMAZLIK TEFLONU	BALL TIGHTNESS ELBMENT PTFE-Teflon PTFE-Teflon
5	1	HAREKET MİLİ	ACTION SPINDLE 1.4021 1.4301. - 1.4401.
4	1	KÜRE	BALL 1.4301 / 1.4086 1.4305. - 1.4401.
3	1	YOL KAPAK	COVER 3 WAY st 37-2 1.4301. - 1.4401.
2	2	KAPAK	COVER st 37-3 1.4301. - 1.4401.
1	1	GÖVDE	BODY A 216 WCB 1.4301. - 1.4401.



TİP TYPE	BOYUT ve BAĞLANTI ÖLÇÜLERİ (DIMENSIONS AND CONNECTION SIZES)								
	PN 16 / 40							PN 16	PN 40
BKV-3L-Dİ-TG	L	G	H	h1	d	D	t	kg	Kg
DN 15 1/2"	80	150	83	55	15	1/2"	14		
DN 20 3/4"	90	180	90	60	20	3/4"	17		
DN 25 1"	115	230	95	70	25	1"	20		
DN 32 1 1/4"	120	275	119	90	32	1 1/4"	22		
DN 40 1 1/2"	135	275	120	100	40	1 1/2"	25		
DN 50 2"	160	320	135	120	50	2"	28		
DN 65 2 1/2"	185	380	150	135	65	2 1/2"	32		
DN 80 3"	210	450	170	160	80	3"	35		
DN 100 4"	275	450	200	175	100	4"	40		