

TİP TYPE: BKV - CEK - FL - TG

{ DN 15 – DN 150 }

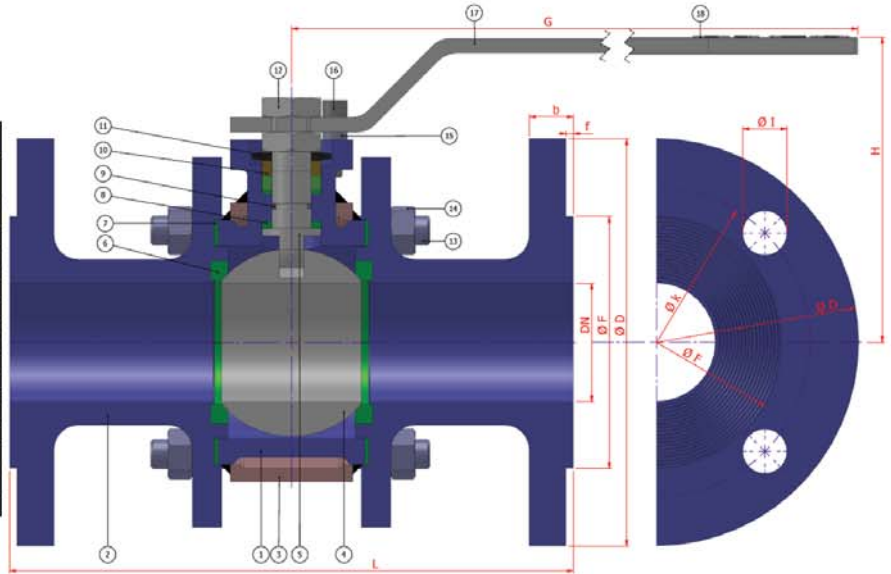
{ PN 16 / PN 40 }

TAM GEÇİŞLİ / FLANŞLI
FULL BORE / FLANGED

Boyutlar	Dimensions	: EN 558-1
Bağlantılar	Connections	: FLANŞLI / FLANGED EN 1092-1
Çalışma Basıncı	Working Pressure	: PN 16 / PN 40
Çalışma Sıcaklığı	Working Temperature	: -30 °C / + 180 °C
Kullanım Alanları	Usage Areas	: Asfalt, Gıda ve Kimya Sanayii Asphalt, Good and Chemical Ind.



MALZEME BİLGİSİ MATERIAL DATA				
PARÇA NO ITEM NO	ADET PCS	PARÇA ADI ITEM DESCRIPTION	MALZEME MATERIAL	
18	1	PLASTİK KAPLAMA	PLASTIC COVERING	PVC PVC
17	1	KÜRE HAREKET KOLU	BALL ACTION HANDLE	st 37 1.4301.
16	1	CIVATA	BOLT	ST 42 Gal. 1.4301. - 1.4401.
15	1	STOPLAMA PİMİ	STOPPING PIN	ST 42 Gal. 1.4301.
14	8	SOMUN	NUT	S.6. 1.4301. - 1.4401.
13	4	SAPLAMA	STOPPING PIN	CK 35 / CK 45 1.4301.
12	2	KONTRA SOMUN	COUNTER NUT	S,6 Gal. 1.4301.
11	2	ÇANAK PUL	BOREL WASHER	50 Cr V 4 1.4301.
10	1	BASKI RİNGİ	PRESSURE RING	M5 S8 1.4301. - 1.4401.
9	1	MİL O-RİNG	SPINDLE O-RING	VITON VITON
8	4	BOĞAZ SIZDIRMAZLIK TEFLONU	NECK TIGHTNESS ELEMENT	PTFE-Teflon PTFE-Teflon
7	2	GÖVDE SIZDIRMAZLIK TEFLONU	BODY TIGHTNESS ELEMENT	PTFE-Teflon PTFE-Teflon
6	2	KÜRE SIZDIRMAZLIK TEFLONU	BALL TIGHTNESS ELEMENT	PTFE-Teflon PTFE-Teflon
5	1	HAREKET MİLİ	ACTION SPINDLE	1,4021 1.4301. - 1.4401.
4	1	KÜRE	BALL	1.4301 / 1.4086 1.4305. - 1.4401.
3	1	CEKET	JACKET	St 44 1.4301. - 1.4401.
2	2	KAPAK	COVER	St 37-2 1.4301. - 1.4401.
1	1	GÖVDE	BODY	A 216 WCB 1.4301. - 1.4401.



TİP TYPE	BOYUT ve BAĞLANTI ÖLÇÜLERİ (DIMENSIONS AND CONNECTION SIZES)																		
	PN 16											PN 40							
	L	G	H	f	D	b	k	Hole Unit	I	F	kg	D	b	k	Hole Unit	I	F	Kg	
BKV-CEK-FL-TG																			
DN 15	1/2"	130	150	75	2	95	14	65	4	14	45		95	16	65	4	14	45	
DN 20	3/4"	150	150	83	2	105	16	75	4	14	58		105	18	75	4	14	58	
DN 25	1"	160	180	90	2	115	16	85	4	14	68		115	18	85	4	14	68	
DN 32	1 1/4"	180	230	95	2	140	16	100	4	18	78		140	18	100	4	18	78	
DN 40	1 1/2"	200	275	115	3	150	16	110	4	18	88		150	18	110	4	18	88	
DN 50	2"	230	275	120	3	165	18	125	4	18	102		165	20	125	4	18	102	
DN 65	2 1/2"	290	320	135	3	185	18	145	4	18	122		185	22	145	8	18	122	
DN 80	3"	310	380	150	3	200	20	160	8	18	138		200	24	160	8	18	138	
DN 100	4"	350	450	170	3	220	20	180	8	18	158		235	24	190	8	22	162	
DN 125	5"	400	450	200	3	250	22	210	8	18	188		270	26	220	8	26	188	
DN 150	6"	450	650	235	3	285	22	240	8	22	212		300	28	250	8	26	218	