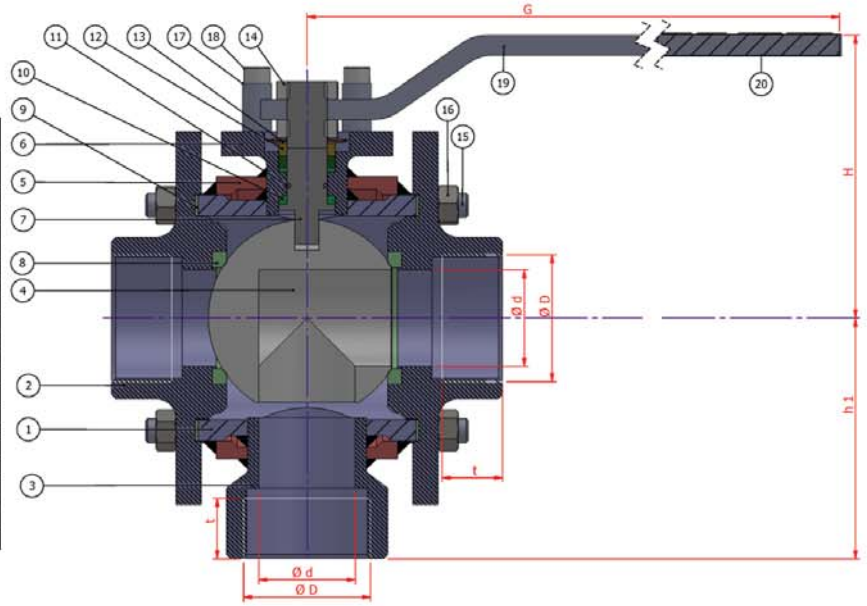


TİP TYPE : BKV.3L - CEK - Dİ - TG {R 1/2" - R 4"} { PN 16 / PN 40 }

TAM GEÇİŞLİ / DİŞLİ
FULL BORE / THREADED

Boyutlar Dimensions : BATUSAN ÖZEL / SPECIAL
Bağlantılar Connections : DİŞLİ / THREADED DIN 2999 / EN 10226-1
Çalışma Basıncı Working Pressure : PN 16 / PN 40
Çalışma Sıcaklığı Working Temperature : -30 °C / + 180 °C
Kullanım Alanları Usage Areas : Asfalt, Gıda ve Kimya Sanayii
Asphalt, Good and Chemical Ind.



MALZEME BİLGİSİ MATERIAL DATA				
PARÇA NO ITEM NO	ADET PCS	PARÇA ADI ITEM DESCRIPTION		MALZEME MATERIAL
20	1	PLASTİK KAPLAMA	PLASTIC COVERING	PVC PVC
19	1	KÜRE HAREKET KOLU	BALL ACTION HANDLE	st 37 1.4301.
18	1	CIVATA	BOLT	ST 42 Gal. 1.4301. - 1.4401.
17	1	STOPLAMA PİMİ	STOPPING PIN	ST 42 Gal. 1.4301.
16	8	SOMUN	NUT	S.6. 1.4301. - 1.4401.
15	4	ŞAPLAMA	STOPPING PIN	CK 35 / CK 45 1.4301.
14	2	KONTRA SOMUN	COUNTER NUT	S.6 Gal. 1.4301.
13	2	ÇANAK PUL	BOWL WASHER	50 Cr V 4 1.4301.
12	1	BASKI RİNGİ	PRESSURE RING	M5 S8 1.4301. - 1.4401.
11	1	MEL O-RİNG	SPINDLE O-RING	VITON VITON
10	4	BOĞAZ SIZDIRMAZLIK TEFLONU	NECK TIGHTNESS ELEMENT	PTFE-Teflon PTFE-Teflon
9	2	GÖVDE SIZDIRMAZLIK TEFLONU	BODY TIGHTNESS ELEMENT	PTFE-Teflon PTFE-Teflon
8	2	KÜRE SIZDIRMAZLIK TEFLONU	BALL TIGHTNESS ELEMENT	PTFE-Teflon PTFE-Teflon
7	1	HAREKET MİLİ	ACTION SPINDLE	1.4021 1.4301. - 1.4401.
6	1	BOĞAZ	NECK	St 37-2 1.4301. - 1.4401.
5	1	CEKET	JACKET	St 44 1.4301. - 1.4401.
4	1	KÜRE	BALL	1.4301 / 1.4086 1.4305. - 1.4401.
3	1	3 YOL KAPAK	COVER 3 WAY	St 37-2 1.4301. - 1.4401.
2	2	KAPAK	COVER	St 37-2 1.4301. - 1.4401.
1	1	GÖVDE	BODY	A 216 WCB 1.4301. - 1.4401.

TİP TYPE	BOYUT ve BAĞLANTI ÖLÇÜLERİ (DIMENSIONS AND CONNECTION SIZES)								
	PN 16 / 40							PN 16	PN 40
	L	G	H	h1	d	D	t	kg	Kg
BKV.3L-CEK-Dİ-TG									
DN 15 1/2"	80	150	83	55	15	1/2"	14		
DN 20 3/4"	90	180	90	60	20	3/4"	17		
DN 25 1"	115	230	95	70	25	1"	20		
DN 32 1 1/4"	120	275	119	90	32	1 1/4"	22		
DN 40 1 1/2"	135	275	120	100	40	1 1/2"	25		
DN 50 2"	160	320	135	120	50	2"	28		
DN 65 2 1/2"	185	380	150	135	65	2 1/2"	32		
DN 80 3"	210	450	170	160	80	3"	35		
DN 100 4"	275	450	200	175	100	4"	40		