

TİP TYPE: BKV.3L - CEK - Dİ - RG { R 1/2" – R 4" }

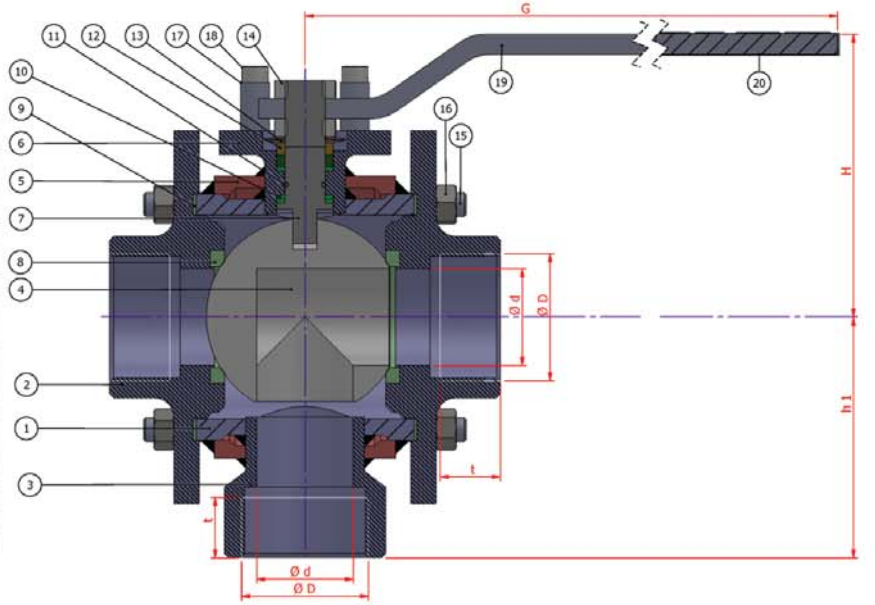
{ PN 16 / PN 40 }

REDÜKSİYON GEÇİŞLİ / DİŞLİ  
REDUCED BORE / THREADED

Boyutlar Dimensions : BATUSAN ÖZEL / SPECIAL  
Bağlantılar Connections : DİŞLİ / THREADED DIN 2999 / EN 10226-1  
Çalışma Basıncı Working Pressure : PN 16 / PN 40  
Çalışma Sıcaklığı Working Temperature : -30 °C / + 180 °C  
Kullanım Alanları Usage Areas : Asfalt, Gıda ve Kimya Sanayii  
Asphalt, Good and Chemical Ind.



MALZEME BİLGİSİ MATERIAL DATA				
PARÇA NO ITEM NO	ADET PCS	PARÇA ADI ITEM DESCRIPTION	MALZEME MATERIAL	
20	1	PLASTİK KAPLAMA	PLASTIC COVERING	PVC PVC
19	1	KÜRE HAREKET KOLU	BALL ACTION HANDLE	st 37 1.4301.
18	1	CIVATA	BOLT	ST 42 Gal. 1.4301. - 1.4401.
17	1	STOPLAMA PİMİ	STOPPING PIN	ST 42 Gal. 1.4301.
16	8	SÖMÜN	NUT	S.6. 1.4301. - 1.4401.
15	4	SAPLAMA	STOPPING PIN	CK 35 / CK 45 1.4301.
14	2	KONTRA SÖMÜN	COUNTER NUT	S.6 Gal. 1.4301.
13	2	ÇANAK PUL	BOYU WASHER	50 Cr V 4 1.4301.
12	1	BASKI RİNGİ	PRESSURE RING	MS 58 1.4301. - 1.4401.
11	1	MİL O-RİNG	SPINDLE O-RING	VİTON VİTON
10	4	BOĞAZ SIZDIRMAZLIK TEFLONU	NECK TIGHTNESS ELEMENT	PTFE-Teflon PTFE-Teflon
9	2	GÖVDE SIZDIRMAZLIK TEFLONU	BODY TIGHTNESS ELEMENT	PTFE-Teflon PTFE-Teflon
8	2	KÜRE SIZDIRMAZLIK TEFLONU	BALL TIGHTNESS ELEMENT	PTFE-Teflon PTFE-Teflon
7	1	HAREKET MİLİ	ACTION SPINDLE	1.4021 1.4301. - 1.4401.
6	1	BOĞAZ	NECK	St 37-2 1.4301. - 1.4401.
5	1	CEKET	JACKET	St 44 1.4301. - 1.4401.
4	1	KÜRE	BALL	1.4301 / 1.4086 1.4305. - 1.4401.
3	1	3 YOL KAPAK	COVER 3 WAY	St 37-2 1.4301. - 1.4401.
2	2	KAPAK	COVER	St 37-2 1.4301. - 1.4401.
1	1	GÖVDE	BODY	A 216 WC B 1.4301. - 1.4401.



TİP TYPE	BOYUT ve BAĞLANTI ÖLÇÜLERİ ( DIMENSIONS AND CONNECTION SIZES )								
	PN 16 / 40							PN 16	PN 40
BKV.3L-CEK-Dİ-RG	L	G	H	h1	d	D	t	kg	Kg
DN 15 1/2"	80	150	75	55	12	1/2"	14		
DN 20 3/4"	90	150	75	60	15	3/4"	17		
DN 25 1"	100	180	83	70	20	1"	20		
DN 32 1 1/4"	115	230	90	85	25	1 1/4"	22		
DN 40 1 1/2"	120	275	95	90	32	1 1/2"	25		
DN 50 2"	135	275	115	100	40	2"	28		
DN 65 2 1/2"	160	320	120	120	50	2 1/2"	32		
DN 80 3"	185	380	135	135	65	3"	35		
DN 100 4"	210	450	150	160	80	4"	40		