

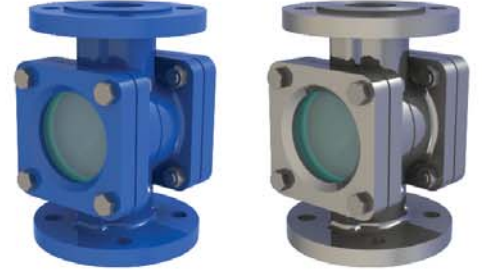
TİP TYPE: BAG - FL

{DN 15 – DN 300}

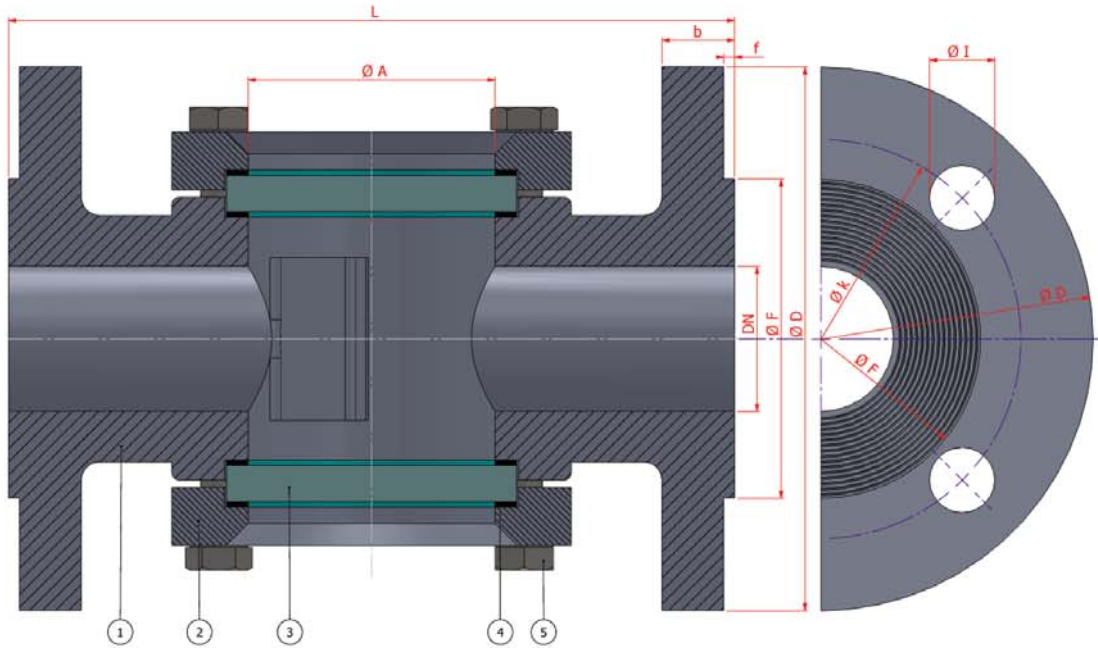
{PN 16 – PN 25 – PN 40}

ÇİFT CAMLI / FLANŞLI
DOBLE GLASS / FLANGED

Boyutlar	Dimensions	: EN 558-1
Bağlantılar	Connections	: FLANŞLI / FLANGED EN 1092-1
Çalışma Basıncı	Working Pressure	: PN 16 - PN 40
Çalışma Sıcaklığı	Working Temperature	: -10 °C / + 180 °C
Kullanım Alanları	Usage Areas	: Su, Gıda, Kimya, Hava ve Diğer Gazlar Water, Foodstuffs, Chemistry, Air and Other Gases etc.



MALZEME BİLGİSİ MATERIAL DATA						
PARÇA NO ITEM NO	ADET PCS	PARÇA ADI ITEM DESCRIPTION	MALZEME MATERIAL			
5	8	CIVATA BOLT	8.8.	8.8.	8.8.	1.4301.
4	4	CAM SIZDIRMAZLIK TEFLONU GLASS TIGHTNESS ELEMENT	PTFE	PTFE	PTFE	PTFE
3	2	CAM GLASS	Tem. Glass	DIN 7080	DIN 7080	DIN 7080
2	2	KAPAK COVER	GG 25	GGG 40.3	GS C 25	1.4301. - 1.4401.
1	1	GÖVDE BODY	GG 25	GGG 40.3	GS C 25	1.4301. - 1.4401.



TİP TYPE	BOYUT ve BAĞLANTI ÖLÇÜLERİ (DIMENSIONS AND CONNECTION SIZES)																		
	PN 16										PN 40								
	L	f	D	b	k	Hole Unit	I	F	A	kg	D	b	k	Hole Unit	I	F	A	kg	
BAG - FL																			
DN 15 1/2"	130	2	95	14	65	4	14	45	40	3,5	95	16	65	4	14	45	34		
DN 20 3/4"	150	2	105	16	75	4	14	58	40	4,2	105	18	75	4	14	58	34		
DN 25 1"	160	2	115	16	85	4	14	68	48	5,6	115	18	85	4	14	68	44		
DN 32 1 1/4"	180	2	140	16	100	4	18	78	67	9,5	140	18	100	4	18	78	60		
DN 40 1 1/2"	200	3	150	16	110	4	18	88	68	14,2	150	18	110	4	18	88	60		
DN 50 2"	230	3	165	18	125	4	18	102	85	16,0	165	20	125	4	18	102	80		
DN 65 2 1/2"	290	3	185	18	145	4	18	122	100	15,0	185	22	145	8	18	122	80		
DN 80 3"	310	3	200	20	160	8	18	138	100	19,0	200	24	160	8	18	138	95		
DN 100 4"	350	3	220	20	180	8	18	158	125	33,0	235	24	190	8	22	162	95		
DN 125 5"	400	3	250	22	210	8	18	188	125	41,0	270	26	220	8	26	188	95		
DN 150 6"	350	3	285	22	240	8	22	212	125	56,5	300	28	250	8	26	218	95		
DN 200 8"	400	3	340	24	295	12	22	268	150	83,5	375	34	320	12	30	285	95		
DN 250 10"	650	3	405	32	355	12	26	320	150	195,0	450	38	385	12	30	345	95		
DN 300 12"	750	4	460	34	410	12	26	378	150		515	42	450	16	33	410	95		

