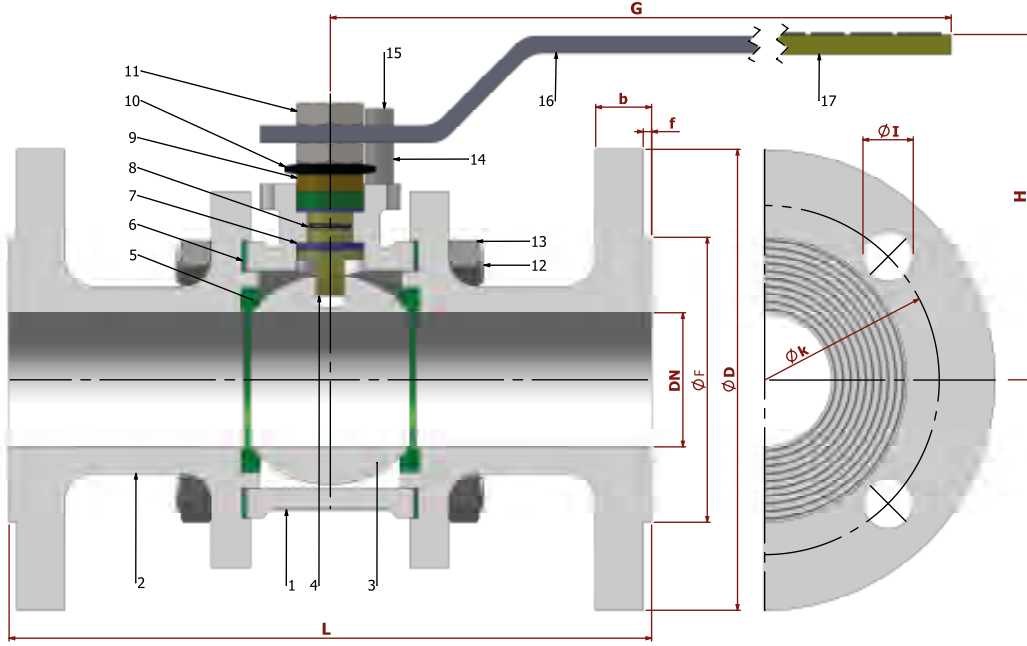


TIP TYPE  
BDKV-FL-TG

DN 15 - DN 250

PN 16 / 40

 ÇELİK  
STELL

 TAM GEÇİŞLİ / FLANŞLI  
FULL BORE / FLANGED


PARÇA NO ITEM NO	PARÇA ADI ITEM DISCRPTION		MALZEME MATERIAL	
	17	PLASTİK KAPLAMA	PLASTIC COVERING	PVC
16	KÜRE HAREKET KOLU	BALL ACTION HANDLE	st 37	1.4301.
15	CİVATA	BOLT	ST 42 Gal.	1.4301. - 1.4401.
14	STOPLAMA PİMİ	STOPPING PIM	ST 42 Gal.	1.4301.
13	SOMUN	NUT	5.6.	1.4301. - 1.4401.
12	SAPLAMA	STOPPING PIM	CK 35 / CK 45	1.4301.
11	KONTRA SOMUN	COUNTER NUT	5,6 Gal.	1.4301.
10	ÇANAK PUL	BOWL WASHER	50 Cr V 4	1.4301.
9	BASKI RİNGİ	PRESSURE RING	MS 58	1.4301. - 1.4401.
8	MİL O-RİNG	SPINDLE O-RING	VİTON	VİTON
7	BOĞAZ SIZDIRMAZLIK TEFLONU	NECK TIGHTNESS ELEMENT	PTFE-Teflon	PTFE-Teflon
6	GÖVDE SIZDIRMAZLIK TEFLONU	BODY TIGHTNESS ELEMENT	PTFE-Teflon	PTFE-Teflon
5	KÜRE SIZDIRMAZLIK TEFLONU	BALL TIGHTNESS ELEMENT	PTFE-Teflon	PTFE-Teflon
4	HAREKET MİLİ	ACTION SPINDLE	1.4021	1.4301. - 1.4401.
3	KÜRE	BALL	1.4301 / 1.4086	1.4305. - 1.4401.
2	KAPAK	COVER	A 216 WCB	1.4301. - 1.4401.
1	GÖVDE	BODY	A 216 WCB	1.4301. - 1.4401.

Boyut : EN 1983 / EN 558  
 Bağlantılar : EN 1092 - 1 / 2  
 Çalışma Basıncı : PN 16 - 40  
 Çalışma Sıcaklığı : Working Temperature : -29 °C / +180 °C

Kullanım Alanları : Usege Areas :  
 Doğalgaz, LPG-LNG, Fuel-Oil, Basıncılı Hava ve Diğer Gazlar  
 Natural Gas, LPG-LNG, Fuel -Oil, Pressurized Air and Other Gases etc.


**BOYUT ve BAĞLANTI ÖLÇÜLERİ DIMENSIONS AND CONNECTION SIZES**

		PN 16											PN 40						
		L	G	H	f	D	b	k	Hole Unit	I	F	Kg	D	b	k	Hole Unit	I	F	Kg
DN 15	1/2"	130	150	75	2	95	14	65	4	14	45	2,4	95	16	65	4	14	45	2,7
DN 20	3/4"	150	150	83	2	105	16	75	4	14	58	3,3	105	18	75	4	14	58	4
DN 25	1"	160	180	90	2	115	16	85	4	14	68	4,5	115	18	85	4	14	68	4,8
DN 32	1 1/4"	180	230	95	2	140	16	100	4	18	78	5,8	140	18	100	4	18	78	7
DN 40	1 1/2"	200	275	115	3	150	16	110	4	18	88	7,5	150	18	110	4	18	88	9,7
DN 50	2"	230	275	120	3	165	18	125	4	18	102	11,5	165	20	125	4	18	102	12,56
DN 65	2 1/2"	290	320	135	3	185	18	145	4	18	122	17	185	22	145	8	18	122	19,2
DN 80	3"	310	380	150	3	200	20	160	8	18	138	24,8	200	24	160	8	18	138	26,7
DN 100	4"	350	450	170	3	220	20	180	8	18	158	32	235	24	190	8	22	162	41,5
DN 125	5"	400	450	200	3	250	22	210	8	18	188	40	270	26	220	8	26	188	50
DN 150	6"	450	650	235	3	285	22	240	8	22	212	68,5	300	28	250	8	26	218	78,5
DN 200	8"	550	900	270	3	340	24	295	12	22	268	140	375	34	320	12	30	285	180
DN 250	10"	650	1100	370	3	405	32	355	12	26	320	--	450	38	385	12	30	345	--