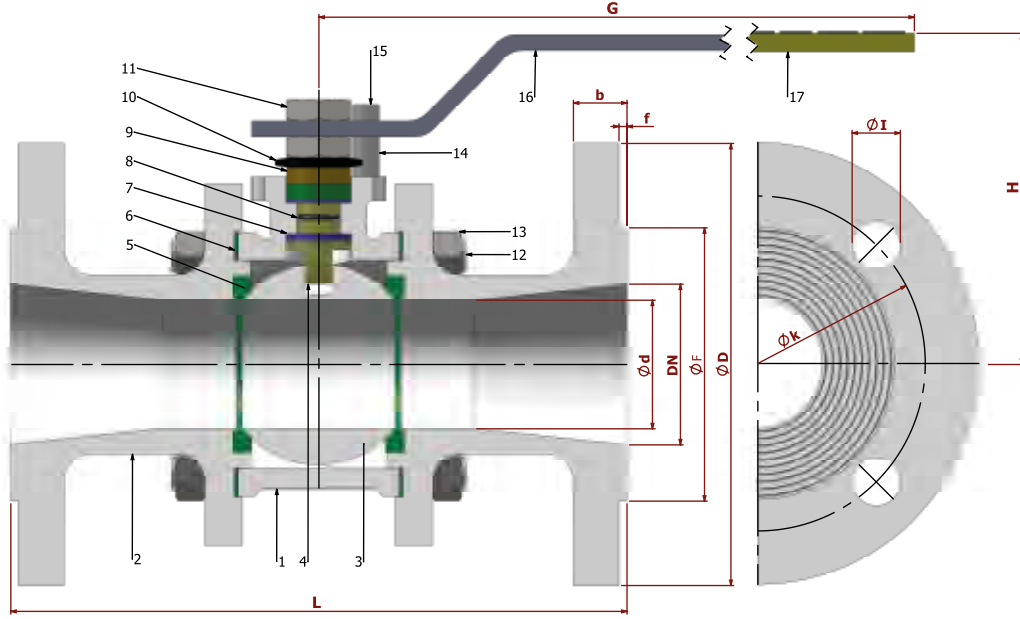


TİP TYPE
BDKV-FL-RG

DN 15 - DN 250

PN 16 / 40

 ÇELİK
STELL

 REDÜKSİYON GEÇİŞLİ / FLANŞLI
REDUCED BORE / FLANGED


PARÇA NO ITEM NO	PARÇA ADI ITEM DISCRPTION	MALZEME MATERIAL		
17	PLASTİK KAPLAMA PLASTIC COVERING	PVC	PVC	
16	KÜRE HAREKET KOLU BALL ACTION HANDLE	st 37	1.4301.	
15	CİVATA BOLT	ST 42 Gal.	1.4301. - 1.4401.	
14	STOPLAMA PİMİ STOPPING PIM	ST 42 Gal.	1.4301.	
13	SOMUN NUT	5.6.	1.4301. - 1.4401.	
12	SAPLAMA STOPPING PIM	CK 35 / CK 45	1.4301.	
11	KONTRA SOMUN COUNTER NUT	5,6 Gal.	1.4301.	
10	ÇANAK PUL BOWL WASHER	50 Cr V 4	1.4301.	
9	BASKI RİNGİ PRESSURE RING	MS 58	1.4301. - 1.4401.	
8	MİL O-RİNG SPINDLE O-RING	VİTON	VİTON	
7	BOĞAZ SIZDIRMAZLIK TEFLONU NECK TIGHTNESS ELEMENT	PTFE-Teflon	PTFE-Teflon	
6	GÖVDE SIZDIRMAZLIK TEFLONU BODY TIGHTNESS ELEMENT	PTFE-Teflon	PTFE-Teflon	
5	KÜRE SIZDIRMAZLIK TEFLONU BALL TIGHTNESS ELEMENT	PTFE-Teflon	PTFE-Teflon	
4	HAREKET MİLİ ACTION SPINDLE	1.4021	1.4301. - 1.4401.	
3	KÜRE BALL	1.4301 / 1.4086	1.4305. - 1.4401.	
2	KAPAK COVER	A 216 WCB	1.4301. - 1.4401.	
1	GÖVDE BODY	A 216 WCB	1.4301. - 1.4401.	

Boyut Dimensions : TS 9809 / EN 558
Bağlantılar Connections : EN 1092 - 1 / 2
Çalışma Basıncı Working Pressure : PN 16 - 40
Çalışma Sıcaklığı Working Temperature : -30 °C / +180 °C

Kullanım Alanları Usege Areas :
Doğalgaz, LPG-LNG, Fuel-Oil, Basıncılı Hava ve Diğer Gazlar
Natural Gas, LPG-LNG, Fuel-Oil, Pressurized Air and Other Gases etc.


BOYUT ve BAĞLANTI ÖLÇÜLERİ DIMENSIONS AND CONNECTION SIZES

		L	G	H	f	d	PN 16							PN 40						
							D	b	k	Hole Unit	I	F	Kg	D	b	k	Hole Unit	I	F	Kg
DN 15	1/2"	130	150	75	2	12	95	14	65	4	14	45	2,4	95	16	65	4	14	45	2,7
DN 20	3/4"	150	150	83	2	15	105	16	75	4	14	58	3,3	105	18	75	4	14	58	4
DN 25	1"	160	150	83	2	20	115	16	85	4	14	68	4,5	115	18	85	4	14	68	4,8
DN 32	1 1/4"	180	180	90	2	25	140	16	100	4	18	78	5,8	140	18	100	4	18	78	7
DN 40	1 1/2"	200	230	95	3	32	150	16	110	4	18	88	7,5	150	18	110	4	18	88	9,7
DN 50	2"	230	275	115	3	40	165	18	125	4	18	102	11,5	165	20	125	4	18	102	12,56
DN 65	2 1/2"	290	275	120	3	50	185	18	145	4	18	122	17	185	22	145	8	18	122	19,2
DN 80	3"	310	320	135	3	65	200	20	160	8	18	138	24,8	200	24	160	8	18	138	26,7
DN 100	4"	350	380	150	3	80	220	20	180	8	18	158	32	235	24	190	8	22	162	41,5
DN 125	5"	400	450	170	3	100	250	22	210	8	18	188	40	270	26	220	8	26	188	50
DN 150	6"	450	450	200	3	125	285	22	240	8	22	212	68,5	300	28	250	8	26	218	78,5
DN 200	8"	550	650	235	3	150	340	24	295	12	22	268	140	375	34	320	12	30	285	180
DN 250	10"	650	900	270	3	200	405	26	355	12	26	320	--	450	38	385	12	30	345	--