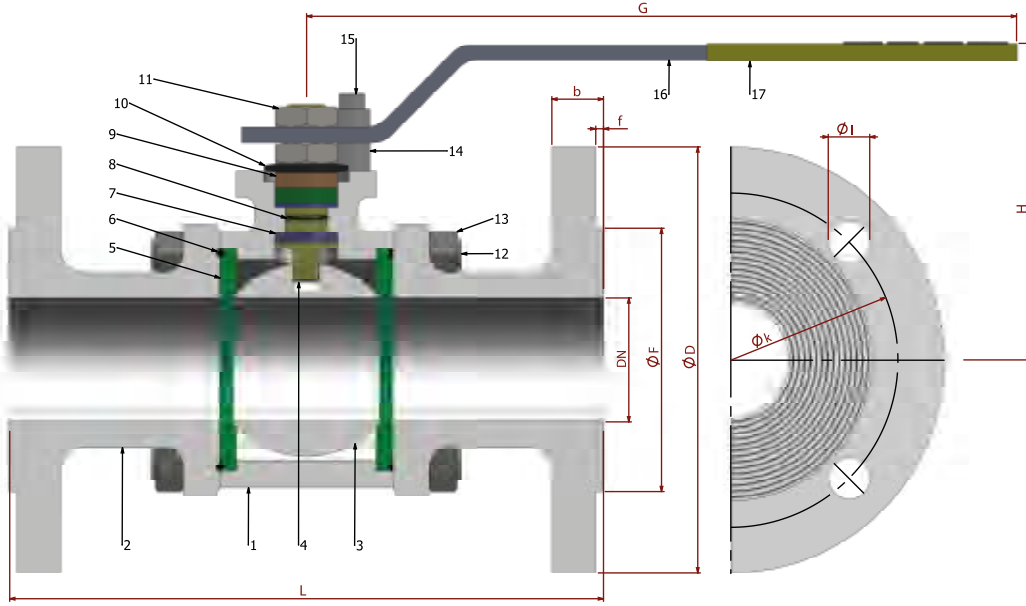


TİP TYPE
BDKV-FL-TG

DN 15 - DN 200

MOP 5-20 / PN 25 / PN 40

 SFERO
SPHERO

 TAM GEÇİŞLİ / FLANŞLI
FULL BORE / FLANGED


PARÇA NO ITEM NO	PARÇA ADI ITEM DISCRPTION	MALZEME MATERIAL
17	PLASTİK KAPLAMA PLASTIC COVERING	PVC
16	KÜRE HAREKET KOLU BALL ACTION HANDLE	st 37
15	CİVATA BOLT	ST 42 Gal.
14	STOPLAMA PİMİ STOPPING PIM	ST 42 Gal.
13	SOMUN NUT	5.6.
12	SAPLAMA STOPPING PIM	CK 35 / CK 45
11	KONTRA SOMUN COUNTER NUT	5,6 Gal.
10	ÇANAK PUL BOWL WASHER	50 Cr V 4
9	BASKI RİNGİ PRESSURE RING	MS 58
8	MİL O-RİNG SPINDLE O-RING	VİTON
7	BOĞAZ SIZDIRMAZLIK TEFLONU NECK TIGHTNESS ELEMENT	PTFE-Teflon
6	GÖVDE O-RİNG BODY O-RING	VİTON
5	KÜRE SIZDIRMAZLIK TEFLONU BALL TIGHTNESS ELEMENT	PTFE-Teflon
4	HAREKET MİLİ ACTION SPINDLE	1,4021
3	KÜRE BALL	1.4301 / 1.4086
2	KAPAK COVER	GGG 40.3
1	GÖVDE BODY	GGG 40.3

Boyut	Dimensions	: TS EN 331 / TS 9809 / EN 558
Bağlantılar	Connections	: EN 1092 - 1 / 2
Çalışma Basıncı	Working Pressure	: DN 15 - 50 MOP 5-20 TS EN 331 DN 65 - 100 PN 40 TS 9809 DN 125 - 200 PN 25 TS 9809

Çalışma Sıcaklığı Working Temperature : -30 °C / +180 °C

 Kullanım Alanları Usege Areas :
Doğalgaz, LPG-LNG, Fuel-Oil, Basıncılı Hava ve Diğer Gazlar
Natural Gas, LPG-LNG, Fuel-Oil, Pressurized Air and Other Gases etc.

BOYUT ve BAĞLANTI ÖLÇÜLERİ DIMENSIONS AND CONNECTION SIZES
MOP 5-20 / PN 16 / PN 25 / PN 40

		L	G	H	f	D	b	k	Hole Unit	I	F	Kg
TS EN 331 MOP 5-20 PN 40	DN 15 1/2"	130	150	75	2	95	14	65	4	14	45	3,10
	DN 20 3/4"	150	150	83	2	105	16	75	4	14	58	4,10
	DN 25 1"	160	180	90	2	115	16	85	4	14	68	4,30
	DN 32 1 1/4"	180	230	95	2	140	16	100	4	18	78	8,50
	DN 40 1 1/2"	200	275	115	3	150	16	110	4	18	88	8,20
TS 9809 PN 16 PN 40	DN 50 2"	230	275	120	3	165	18	125	4	18	102	11,50
	DN 65 2 1/2"	290	320	135	3	185	18	145	4	18	122	18,00
	DN 100 4"	350	450	170	3	220	21	180	8	18	158	25,50
	DN 80 3"	310	380	150	3	200	20	160	8	18	138	25,50
TS 9809 PN 16 PN 25	DN 100 4"	350	450	170	3	220	24	180	8	22	162	40,00
	DN 125 5"	400	450	200	3	250	23	210	8	18	188	58,00
	DN 150 6"	450	650	235	3	285	23	240	8	22	212	81,00
	DN 200 8"	550	900	270	3	340	24	295	12	22	268	
	DN 125 5"	400	450	200	3	270	26	220	8	26	188	58,00
PN 25	DN 150 6"	450	650	235	3	300	28	250	8	26	218	81,00
	DN 200 8"	550	900	270	3	360	30	310	12	26	278	