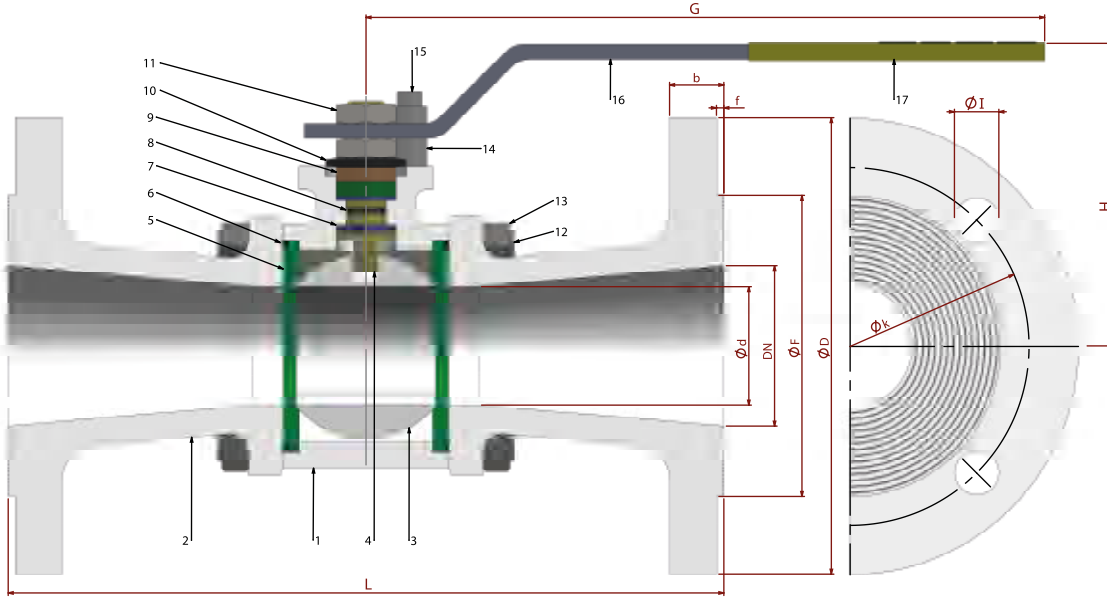


TİP TYPE
BDKV-FL-RG

DN 15 - DN 250

MOP 5-20 / PN 25 / PN 40

 SFERO
SPHERO

 REDÜKSİYON GEÇİŞLİ / FLANŞLI
REDUCED BORE / FLANGED


PARÇA NO ITEM NO	PARÇA ADI ITEM DISCRPTION	MALZEME MATERIAL
17	PLASTİK KAPLAMA	PLASTIC COVERING
16	KÜRE HAREKET KOLU	BALL ACTION HANDLE
15	ÇİVATA	BOLT
14	STOPLAMA PİMİ	STOPPING PIM
13	SOMUN	NUT
12	SAPLAMA	STOPPING PIM
11	KONTRA SOMUN	COUNTER NUT
10	ÇANAK PUL	BOWL WASHER
9	BASKI RİNGİ	PRESSURE RING
8	MİL O-RİNG	SPINDLE O-RING
7	BOĞAZ SIZDIRMAZLIK TEFLONU	NECK TIGHTNESS ELEMENT
6	GÖVDE O-RİNG	BODY O-RING
5	KÜRE SIZDIRMAZLIK TEFLONU	BALL TIGHTNESS ELEMENT
4	HAREKET MİLİ	ACTION SPINDLE
3	KÜRE	BALL
2	KAPAK	COVER
1	GÖVDE	BODY

Boyut	Dimensions	: TS EN 331 / TS 9809 / EN 558
Bağlantılar	Connections	: EN 1092 - 1 / 2
Çalışma Basıncı	Working Pressure	: DN 15 - 50 MOP 5-20 TS EN 331 DN 65 - 100 PN 40 TS 9809 DN 125 - 200 PN 25 TS 9809

Çalışma Sıcaklığı Working Temperature : -30 °C / +180 °C

 Kullanım Alanları Usege Areas :
Doğalgaz, LPG-LNG, Fuel-Oil, Basınçlı Hava ve Diğer Gazlar
Natural Gas, LPG-LNG, Fuel-Oil, Pressurized Air and Other Gases etc.

BOYUT ve BAĞLANTI ÖLÇÜLERİ DIMENSIONS AND CONNECTION SIZES

		MOP 5-20 / PN 16 / PN 25 / PN 40											
		L	G	H	f	d	D	b	k	Hole Unit	I	F	Kg
TS EN 331 MOP 5-20 PN 40	DN 15 1/2"	130	150	75	2	12	95	14	65	4	14	45	3,10
	DN 20 3/4"	150	150	83	2	15	105	16	75	4	14	58	4,10
	DN 25 1"	160	180	90	2	20	115	16	85	4	14	68	4,30
	DN 32 1 1/4"	180	230	95	2	25	140	16	100	4	18	78	8,50
	DN 40 1 1/2"	200	275	115	3	32	150	16	110	4	18	88	8,20
	DN 50 2"	230	275	120	3	40	165	18	125	4	18	102	11,50
TS 9809 PN 16 PN 40	PN 16 DN 65 2 1/2"	290	320	135	3	50	185	18	145	4	18	122	18,00
	DN 100 4"	350	450	170	3	80	220	21	180	8	18	158	25,50
	PN 40 DN 65 2 1/2"	290	320	135	3	50	185	22	145	8	18	122	18,00
	DN 80 3"	310	380	150	3	65	200	20	160	8	18	138	25,50
TS 9809 PN 16 PN 25	DN 100 4"	350	450	170	3	80	220	24	180	8	22	162	40,00
	PN 16 DN 125 5"	400	450	200	3	100	250	23	210	8	18	188	58,00
	DN 150 6"	450	650	235	3	125	285	23	240	8	22	212	81,00
	PN 25 DN 200 8"	550	900	270	3	150	340	24	295	12	22	268	
	DN 125 5"	400	450	200	3	100	270	26	220	8	26	188	58,00
	DN 150 6"	450	650	235	3	125	300	28	250	8	26	218	81,00
DN 200 8"	550	650	235	3	150	360	30	310	12	26	275		
DN 250 10"	650	900	270	3	200	425	32	370	12	30	335		