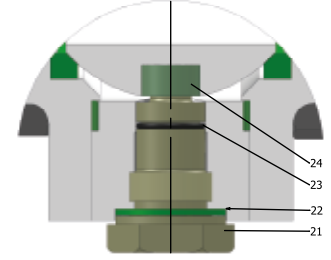
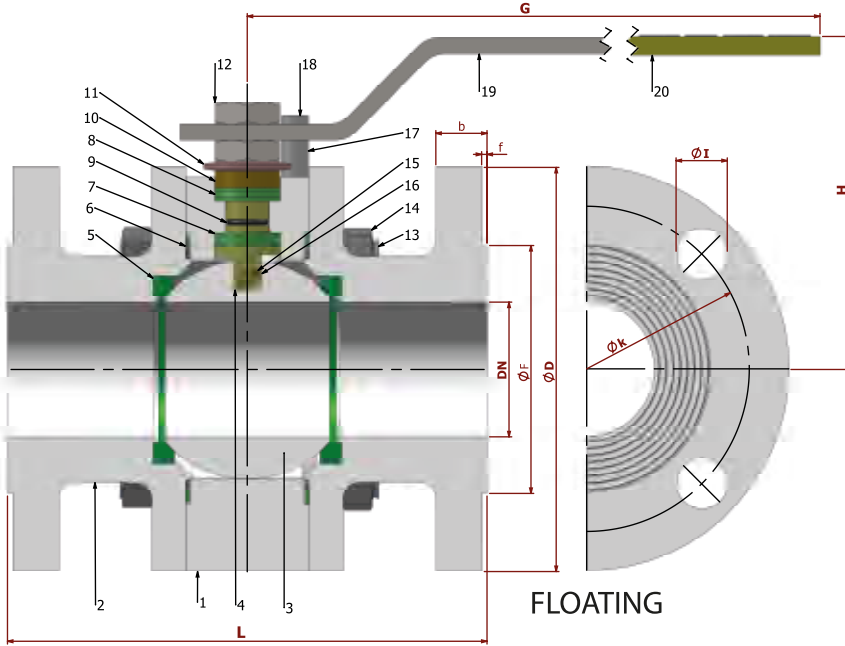


TİP TYPE
BKV-FL-TG
DN 15 - DN 200
CLASS 600 (PN 100)
ÇELİK
STELL
TAM GEÇİŞLİ / FLANŞLI
FULL BORE / FLANGED

FLOATING
TRUNNION

PARÇA NO ITEM NO	PARÇA ADI ITEM DISCRPTION	MALZEME MATERIAL		
24	ALT YATAK TEFLONU	BALL TIGHTNESS ELEMENT	PTFE-Teflon	PTFE-Teflon
23	ALT YATAK O-RING	SPINDLE O-RING	VİTON	VİTON
22	ALT YATAK TEFLONU	BALL TIGHTNESS ELEMENT	PTFE-Teflon	PTFE-Teflon
21	ALT YATAK	TRUNNION	ASTM A 105	1.4301. - 1.4401.
20	PLASTİK KAPLAMA	PLASTIC COVERING	PVC	PVC
19	KÜRE HAREKET KOLU	BALL ACTION HANDLE	st 37	1.4301.
18	ÇİVATA	BOLT	ST 42 Gal.	1.4301. - 1.4401.
17	STOPLAMA PİMİ	STOPPING PIM	ST 42 Gal.	1.4301.
16	ANTİSTATİK KÜRE	ANTISTATIC BALL	1.4301.	1.4301. - 1.4401.
15	ANTİSTATİK YAY	ANTISTATIC SPRING	1.4301.	1.4301. - 1.4401.
14	SOMUN	NUT	5.6.	1.4301. - 1.4401.
13	SAPLAMA	STOPPING PIM	4140 - 514t	1.4301.
12	KONTRA SOMUN	COUNTER NUT	5,6 Gal.	1.4301.
11	ÇANAK PUL	BOWL WASHER	50 Cr V 4	1.4301.
10	BASKI RİNGİ	PRESSURE RING	MS 58	1.4301. - 1.4401.
9	MİL O-RİNG	SPINDLE O-RING	VİTON	VİTON
8	BURGMAN GRAFİT O-RİNG	BURGMAN GRAPHITE O-RING	EN 1514-1	EN 1514-1
7	BOĞAZ SIZDIRMAZLIK TEFLONU	NECK TIGHTNESS ELEMENT	PTFE-Teflon	PTFE-Teflon
6	GÖVDE SIZDIRMAZLIK TEFLONU	BODY TIGHTNESS ELEMENT	PTFE-Teflon	PTFE-Teflon
5	KÜRE SIZDIRMAZLIK TEFLONU	BALL TIGHTNESS ELEMENT	PTFE-Teflon	PTFE-Teflon
4	HAREKET MİLİ	ACTION SPINDLE	1,4021	1.4301. - 1.4401.
3	KÜRE	BALL	1.4301 / 1.4086	1.4305. - 1.4401.
2	KAPAK	COVER	A 216 WCB / A 105	1.4301. - 1.4401.
1	GÖVDE	BODY	A 216 WCB / A 105	1.4301. - 1.4401.

Dizayn Design : API 6D / ISO 14313
 Boyut Dimensions : ASME B 16.10
 Bağlantılar Connections : ASME B 16.5
 Çalışma Basıncı Working Pressure : CLASS 600 (PN 100)
 Çalışma Sıcaklığı Working Temperature : -29 °C / +180 °C

Kullanım Alanları Usege Areas :
 Doğalgaz, LPG-LNG, Fuel-Oil, Basıncılı Hava ve Diğer Gazlar
 Natural Gas, LPG-LNG, Fuel-Oil, Pressurized Air and Other Gases etc.


BOYUT ve BAĞLANTI ÖLÇÜLERİ DIMENSIONS AND CONNECTION SIZES
CLASS 600 (PN 100)

	L	G	H	f	D	b	k	Hole Unit	I	F	Kg
DN 15 1/2"	165	150	75	7	95	21,3	66,7	4	15,9	35,1	
DN 20 3/4"	190	150	83	7	115	22,9	82,6	4	19,1	42,9	
DN 25 1"	216	180	90	7	125	24,5	88,9	4	19,1	50,8	
DN 32 1 1/4"	229	230	95	7	135	27,7	98,6	4	19,1	63,5	
DN 40 1 1/2"	241	275	115	7	155	29,3	114,3	4	22,4	73,2	
DN 50 2"	292	275	120	7	165	32,4	127	8	19,1	91,9	
DN 65 2 1/2"	330	320	135	7	190	35,6	149,2	8	22,4	104,6	
DN 80 3"	356	380	150	7	210	38,8	168,3	8	22,4	127	
DN 100 4"	432	450	170	7	275	45,1	215,9	8	25,4	157,2	
DN 125 5"	508	450	200	7	330	51,5	266,7	8	28,4	185,7	
DN 150 6"	559	650	235	7	355	54,7	292,1	12	28,4	215,9	
DN 200 8"	660	900	270	7	420	62,6	349,2	12	31,8	269,7	