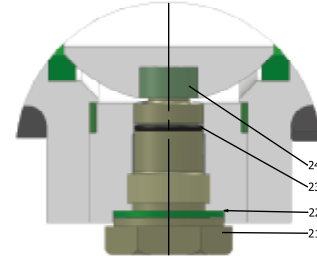
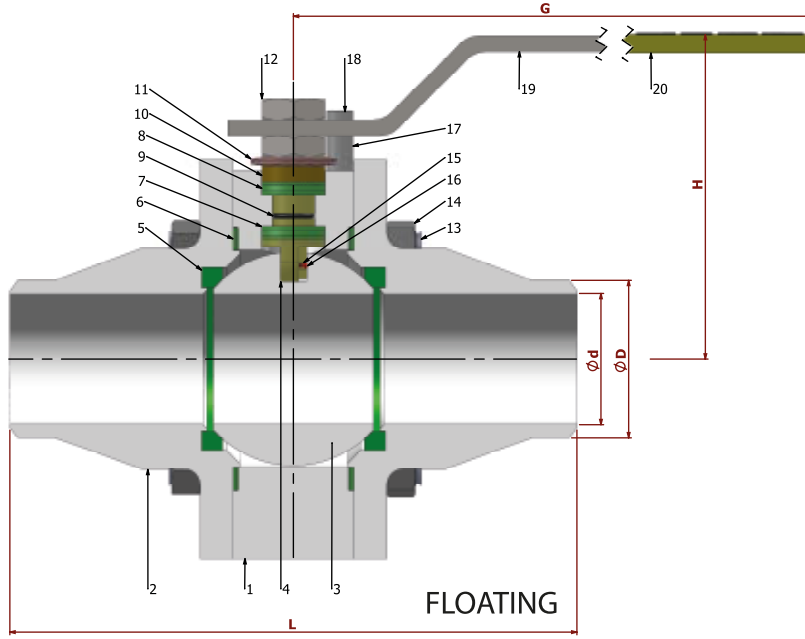


TİP TYPE
 BKV-KA-TG

DN 15 - DN 200

CLASS 150 / 300 (PN 20 / 50)

 ÇELİK
 STEEL

 TAM GEÇİŞLİ / ALIN KAYNAKLI
 FULL BORE / BUTT WELD

TRUNNION

PARÇA NO ITEM NO	PARÇA ADI ITEM DISCRPTION	MALZEME MATERIAL		
24	ALT YATAK TEFLONU	BALL TIGHTNESS ELEMENT	PTFE-Teflon	PTFE-Teflon
23	ALT YATAK O-RING	SPINDLE O-RING	VİTON	VİTON
22	ALT YATAK TEFLONU	BALL TIGHTNESS ELEMENT	PTFE-Teflon	PTFE-Teflon
21	ALT YATAK	TRUNNION	ASTM A 105	1.4301.- 1.4401.
20	PLASTİK KAPLAMA	PLASTIC COVERING	PVC	PVC
19	KÜRE HAREKET KOLU	BALL ACTION HANDLE	st 37	1.4301.
18	ÇİVATA	BOLT	ST 42 Gal.	1.4301.- 1.4401.
17	STOPLAMA PİMİ	STOPPING PIM	ST 42 Gal.	1.4301.
16	ANTİSTATİK KÜRE	ANTİSTATİK BALL	1.4301.	1.4301.- 1.4401.
15	ANTİSTATİK YAY	ANTİSTATİK SPRING	1.4301.	1.4301.- 1.4401.
14	SOMUN	NUT	5.6.	1.4301.- 1.4401.
13	SAPLAMA	STOPPING PIM	4140 - 514t	1.4301.
12	KONTRA SOMUN	COUNTER NUT	5,6 Gal.	1.4301.
11	ÇANAK PUL	BOWL WASHER	50 Cr V 4	1.4301.
10	BASKI RİNGİ	PRESSURE RING	MS 58	1.4301.- 1.4401.
9	MİL O-RİNG	SPINDLE O-RING	VİTON	VİTON
8	BURGMAN GRAFİT O-RİNG	BURGMAN GRAPHITE O-RING	EN 1514-1	EN 1514-1
7	BOĞAZ SIZDIRMAZLIK TEFLONU	NECK TIGHTNESS ELEMENT	PTFE-Teflon	PTFE-Teflon
6	GÖVDE SIZDIRMAZLIK TEFLONU	BODY TIGHTNESS ELEMENT	PTFE-Teflon	PTFE-Teflon
5	KÜRE SIZDIRMAZLIK TEFLONU	BALL TIGHTNESS ELEMENT	PTFE-Teflon	PTFE-Teflon
4	HAREKET MİLİ	ACTION SPINDLE	1,4021	1.4301.- 1.4401.
3	KÜRE	BALL	1.4301 / 1.4086	1.4305.- 1.4401.
2	KAPAK	COVER	A 216 WCB / A 105	1.4301.- 1.4401.
1	GÖVDE	BODY	A 216 WCB / A 105	1.4301.- 1.4401.

 Dizayn Design : API 6D / ISO 14313
 Boyut Dimensions : ASME B 16.10
 Bağlantılar Connections : ASME B 16.25
 Çalışma Basıncı Working Pressure : CLASS 150 (PN 20)
 CLASS 300 (PN 50)
 Çalışma Sıcaklığı Working Temperature : -29 °C / +180 °C

 Kullanım Alanları Usege Areas :
 Doğalgaz, LPG-LNG, Fuel-Oil, Basıncılı Hava ve Diğer Gazlar
 Natural Gas, LPG-LNG, Fuel-Oil, Pressurized Air and Other Gases etc.

BOYUT ve BAĞLANTI ÖLÇÜLERİ DIMENSIONS AND CONNECTION SIZES
CLASS 150 (PN 20) / CLASS 300 (PN 50)

		L	G	H	d	D	Kg
DN 15	1/2"	140	150	75	15	21,3	--
DN 20	3/4"	152	150	83	20	26,7	--
DN 25	1"	165	180	90	25	33,4	--
DN 32	1 1/4"	178	230	95	32	42,2	--
DN 40	1 1/2"	190	275	115	40	48,3	--
DN 50	2"	216	275	120	50	60,3	--
DN 65	2 1/2"	241	320	135	65	76,1	--
DN 80	3"	283	380	150	80	88,1	--
DN 100	4"	305	450	170	100	114,3	--
DN 125	5"	356	450	200	125	139,7	--
DN 150	6"	457	650	235	150	168,3	--
DN 200	8"	521	900	270	200	219,1	--