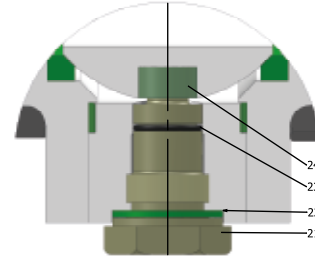
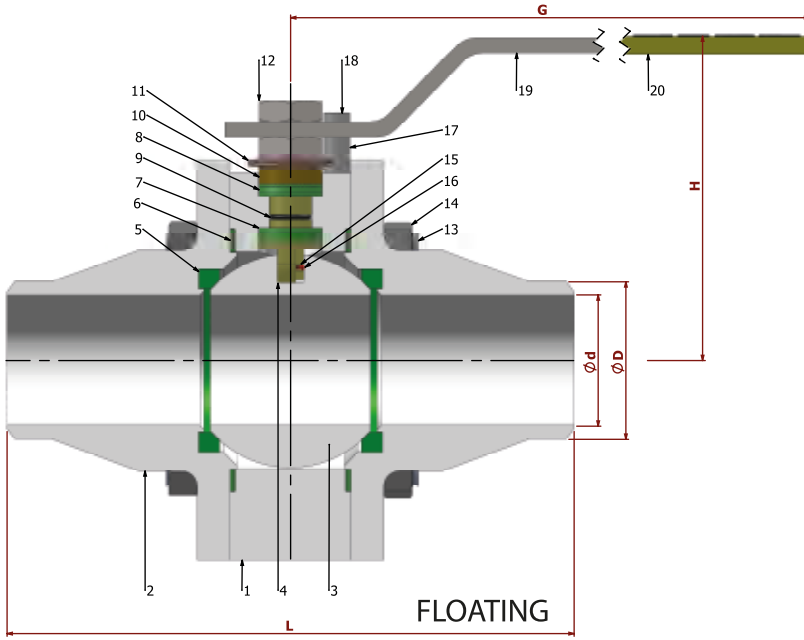


**TIP TYPE**  
 BKV-KA-RG

**DN 15 - DN 100**
**CLASS 900 ( PN 150 )**
**ÇELİK**  
**STELL**
**REDÜKSİYON GEÇİŞLİ / ALIN KAYNAKLI**  
**REDUCED BORE / BUTT WELD**

**FLOATING**
**TRUNNION**

PARÇA NO ITEM NO	PARÇA ADI ITEM DISCRPTION		MALZEME MATERIAL	
24	ALT YATAK TEFLONU	BALL TIGHTNESS ELEMENT	PTFE-Teflon	PTFE-Teflon
23	ALT YATAK O-RING	SPINDLE O-RING	VITON	VITON
22	ALT YATAK TEFLONU	BALL TIGHTNESS ELEMENT	PTFE-Teflon	PTFE-Teflon
21	ALT YATAK	TRUNNION	ASTM A 105	1.4301. - 1.4401.
20	PLASTİK KAPLAMA	PLASTIC COVERING	PVC	PVC
19	KÜRE HAREKET KOLU	BALL ACTION HANDLE	st 37	1.4301.
18	CİVATA	BOLT	ST 42 Gal.	1.4301. - 1.4401.
17	STOPLAMA PİMİ	STOPPING PIM	ST 42 Gal.	1.4301.
16	ANTİSTATİK KÜRE	ANTISTATIC BALL	1.4301.	1.4301. - 1.4401.
15	ANTİSTATİK YAY	ANTISTATIC SPRING	1.4301.	1.4301. - 1.4401.
14	SOMUN	NUT	5.6.	1.4301. - 1.4401.
13	SAPLAMA	STOPPING PIM	4140 - 5140	1.4301.
12	KONTRA SOMUN	COUNTER NUT	5,6 Gal.	1.4301.
11	ÇANAK PUL	BOWL WASHER	50 Cr V 4	1.4301.
10	BASKI RİNGİ	PRESSURE RING	MS 58	1.4301. - 1.4401.
9	MİL O-RİNG	SPINDLE O-RING	VITON	VITON
8	BURGMAN GRAFİT O-RİNG	BURGMAN GRAPHITE O-RING	EN 1514-1	EN 1514-1
7	BOĞAZ SIZDIRMAZLIK TEFLONU	NECK TIGHTNESS ELEMENT	PTFE-Teflon	PTFE-Teflon
6	GÖVDE SIZDIRMAZLIK TEFLONU	BODY TIGHTNESS ELEMENT	PTFE-Teflon	PTFE-Teflon
5	KÜRE SIZDIRMAZLIK TEFLONU	BALL TIGHTNESS ELEMENT	PTFE-Teflon	PTFE-Teflon
4	HAREKET MİLİ	ACTION SPINDLE	1,4021	1.4301. - 1.4401.
3	KÜRE	BALL	1.4301 / 1.4086	1.4305. - 1.4401.
2	KAPAK	COVER	A 216 WCB / A 105	1.4301. - 1.4401.
1	GÖVDE	BODY	A 216 WCB / A 105	1.4301. - 1.4401.

Dizayn Design : API 6D / ISO 14313  
 Boyut Dimensions : ASME B 16.10  
 Bağlantıle Connections : ASME B 16.25  
 Çalışma Basıncı Working Pressure : CLASS 900 ( PN 150 )  
 Çalışma Sıcaklığı Working Temperature : -29 °C / .+180 °C

Kullanım Alanları Usege Areas :  
 Doğalgaz, LPG-LNG, Fuel-Oil, Basıncılı Hava ve Diğer Gazlar  
 Natural Gas, LPG-LNG, Fuel-Oil, Pressurized Air and Other Gases etc.


**BOYUT ve BAĞLANTI ÖLÇÜLERİ DIMENSIONS AND CONNECTION SIZES**

		CLASS 900 (PN 150)					
		L	G	H	d	D	Kg
DN 15	1/2"	216	150	75	12	21,3	--
DN 20	3/4"	229	150	75	15	26,7	--
DN 25	1"	254	150	83	20	33,4	--
DN 32	1 1/4"	279	180	90	25	42,2	--
DN 40	1 1/2"	305	230	95	32	48,3	--
DN 50	2"	368	275	115	40	60,3	--
DN 65	2 1/2"	419	275	120	50	76,1	--
DN 80	3"	381	320	135	65	88,1	--
DN 100	4"	457	380	150	80	114,3	--