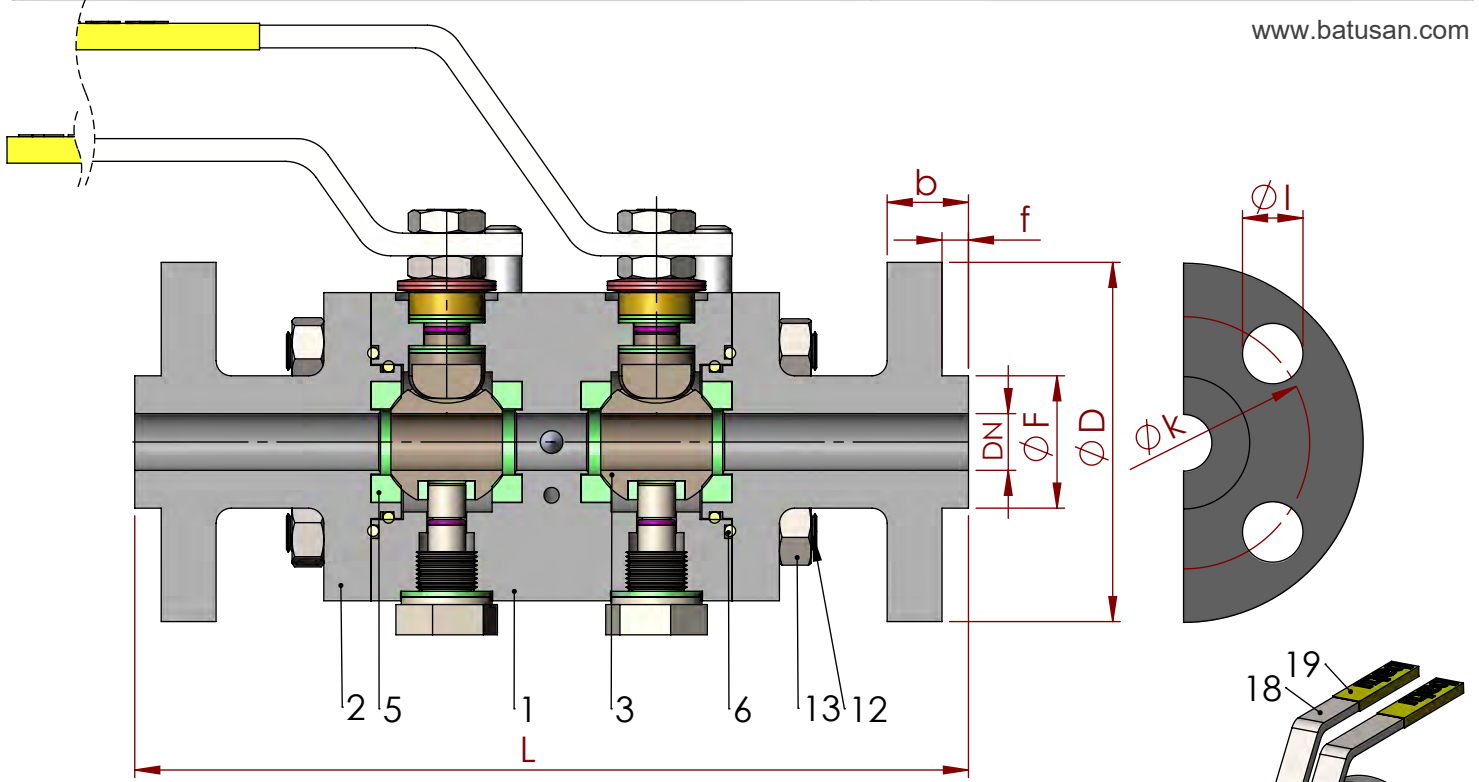


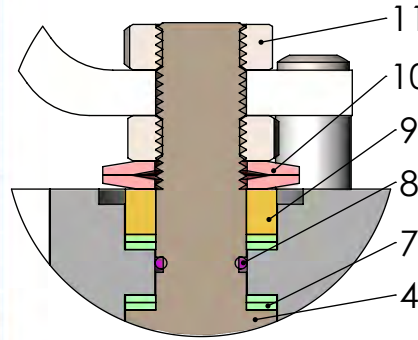
DN 15 - DN 100 CLASS 150 ( PN 20 )

TAM GEÇİŞLİ / FLANŞLI  
FULL BORE/FLANGED

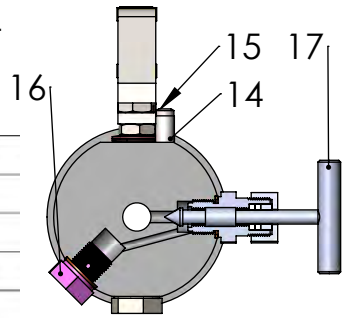
www.batusan.com



NO ITEM NO	PARÇA ADI ITEM DESCRIPTION	MALZEME MATERIAL
19	PLASTİK KAPLAMA PLASTIC COVERING	PVC
18	KÜRE HAREKET KOLU BALL ACTION HANDLE	ST 37
17	İĞNELİ VANA NEEDLE VALVE	AISI 304
16	VENT VENT	AISI 304
15	CİVATA BOLT	ST 42
14	STOPLAMA PİMİ STOPPING PIM	ST 42
13	SOMUN NUT	5.6.
12	SAPLAMA STUD	4140-5140
11	KONTRA SOMUN COUNTER NUT	AISI 304
10	ÇANAK PUL BOWL WASHER	AISI 304
9	BASKI RINGİ PRESSURE RING	AIS 304
8	MİL O-RINGİ SPINDLE O-RING	VITON
7	BOĞAZ SIZDIRMAZLIK TEFLONU NECK TIGHTNESS ELEMENT	PTFE
6	GÖVDE SIZDIRMAZLIK TEFLONU BODY TIGHTNESS O-RING	VITON
5	KÜRE SIZDIRMAZLIK TEFLONU BALL TIGHTNESS ELEMENT	PTFE
4	HAREKET MİLİ ACTION SPINDLE	ASTM A 105
3	KÜRE BALL	AISI 316
2	KAPAK COVER	ASTM A 105
1	GÖVDE BODY	ASTM A 105



Dizayn	Design	: API 6D / ISO 14313
Boyut	Dimensions	: ASME B 16.10
Bağlantılar	Connections	: ASME B 16.5
Çalışma Basıncı	Working Pressure	: CLASS 150 (PN 20)
Çalışma Sıcaklığı	Working Temperature	: -29 °C / +180 °C



### BOYUTLAR ve ÖLÇÜLER DIMENSIONS AND CONNECTION SIZES

		CLASS 150 ( PN 20 )							
		L	f	D	b	k	HOLE UNIT	I	F
<b>DN 15</b>	<i>R 1/2"</i>	208	2	90	11,2	60	4	16	35,1
<b>DN 20</b>	<i>R 3/4"</i>	215	2	100	12,7	70	4	16	42,9
<b>DN 25</b>	<i>R 1"</i>	230	2	110	14,3	79,4	4	16	50,8
<b>DN 40</b>	<i>R 1-1/2"</i>	282	2	125	17,5	98,4	4	16	73,2
<b>DN 50</b>	<i>R 2"</i>	330	2	150	19,1	120,6	4	19	91,9
<b>DN 80</b>	<i>R 3"</i>	390	2	190	23,9	152,4	4	19	127
<b>DN100</b>	<i>R 4"</i>	440	2	230	23,9	190,5	8	19	157,2

\* Please contact us for sizes upper than 4"