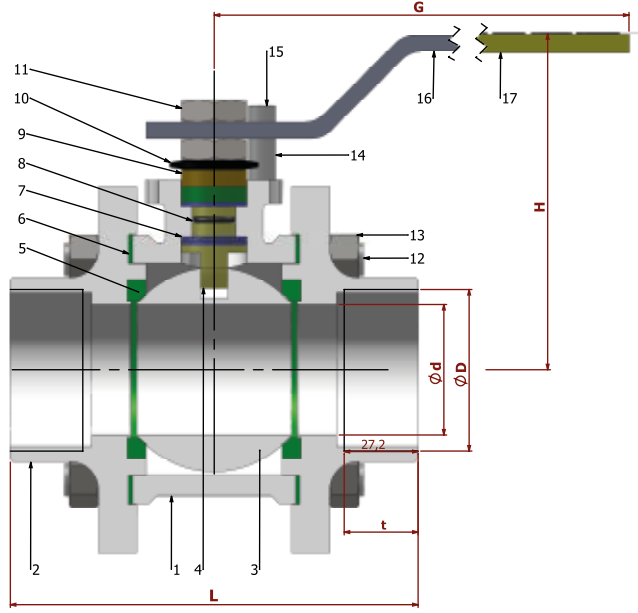


TİP TYPE
 BKV-DI-TG

R 1/2" - R 4"

PN 16 / 40

 ÇELİK
 STEEL

 TAM GEÇİŞLİ / DIŞLI
 FULL BORE / THREADED


PARÇA NO ITEM NO	PARÇA ADI ITEM DISCRPTION	MALZEME MATERIAL
17	PLASTİK KAPLAMA PLASTIC COVERING	PVC PVC
16	KÜRE HAREKET KOLU BALL ACTION HANDLE	st 37 1.4301.
15	CİVATA BOLT	ST 42 Gal. 1.4301.- 1.4401.
14	STOPLAMA PİMİ STOPPING PIM	ST 42 Gal. 1.4301.
13	SOMUN NUT	5.6. 1.4301.- 1.4401.
12	SAPLAMA STOPPING PIM	CK 35 / CK 45 1.4301.
11	KONTRA SOMUN COUNTER NUT	5,6 Gal. 1.4301.
10	ÇANAK PUL BOWL WASHER	50 Cr V 4 1.4301.
9	BASKI RİNGİ PRESSURE RING	MS 58 1.4301.- 1.4401.
8	MİL O-RİNG SPINDLE O-RING	VİTON VİTON
7	BOĞAZ SIZDIRMAZLIK TEFLONU NECK TIGHTNESS ELEMENT	PTFE-Teflon PTFE-Teflon
6	GÖVDE SIZDIRMAZLIK TEFLONU BODY TIGHTNESS ELEMENT	PTFE-Teflon PTFE-Teflon
5	KÜRE SIZDIRMAZLIK TEFLONU BALL TIGHTNESS ELEMENT	PTFE-Teflon PTFE-Teflon
4	HAREKET MİLİ ACTION SPINDLE	1,4021 1.4301.- 1.4401.
3	KÜRE BALL	1.4301 / 1.4086 1.4305.- 1.4401.
2	KAPAK COVER	A 216 WCB 1.4301.- 1.4401.
1	GÖVDE BODY	A 216 WCB 1.4301.- 1.4401.

Boyut Dimensions : BATUSAN ÖZEL
 Bağlantı Connections : EN 10226-1
 Çalışma Basıncı Working Pressure : PN 16 - 40
 Çalışma Sıcaklığı Working Temperature : -30 °C / +180 °C

Kullanım Alanları Usege Areas :
 Su, Sıcak Su, Buhar, Basıncılı Hava
 Water, Hot Water, Steam, Pressurized Air


BOYUT ve BAĞLANTI ÖLÇÜLERİ DIMENSIONS AND CONNECTION SIZES

							PN 16	PN 40	
		L	G	H	d	D	t	Kg	Kg
DN 15	1/2"	75	150	75	15	1/2"	14	1,1	1,1
DN 20	3/4"	80	150	83	20	3/4"	17	1,4	1,5
DN 25	1"	90	180	90	20	1"	20	2,0	2,0
DN 32	1 1/4"	110	230	95	32	1 1/4"	22	2,8	3,0
DN 40	1 1/2"	120	275	115	40	1 1/2"	25	3,6	4,4
DN 50	2"	140	275	120	50	2"	28	5,7	6,1
DN 65	2 1/2"	170	320	135	65	2 1/2"	32	8,8	9,5
DN 80	3"	195	380	150	80	3"	35	14,2	16,6
DN 100	4"	230	450	170	100	4"	40	24,0	25,2