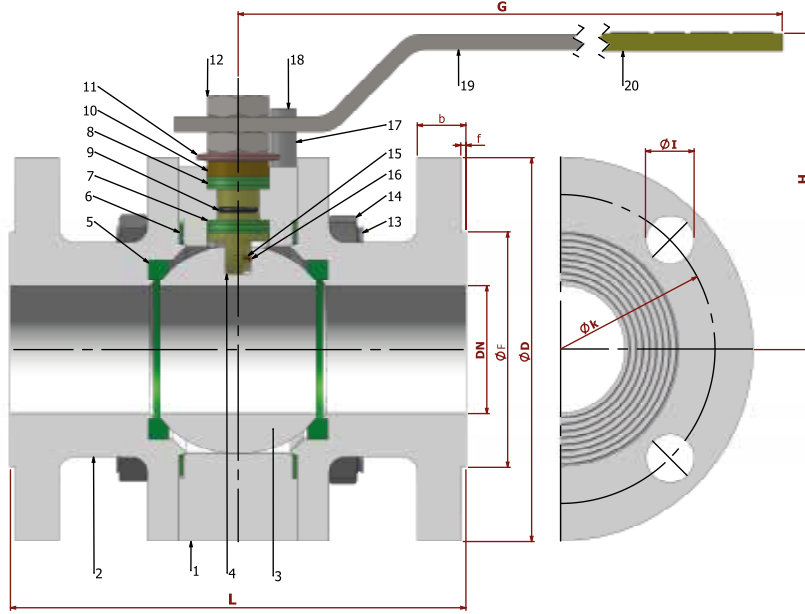


TİP TYPE
 BKV-FL-TG

DN 15 - DN 200

PN 150

 ÇELİK
 STEEL

 TAM GEÇİŞLİ / FLANŞLI
 FULL BORE / FLANGED


PARÇA NO ITEM NO	PARÇA ADI ITEM DISCRPTION		MALZEME MATERIAL	
	20	PLASTİK KAPLAMA	PLASTIC COVERING	PVC
19	KÜRE HAREKET KOLU	BALL ACTION HANDLE	st 37	1.4301.
18	CİVATA	BOLT	ST 42 Gal.	1.4301. - 1.4401.
17	STOPLAMA PİMİ	STOPPING PIM	ST 42 Gal.	1.4301.
16	ANTİSTATİK KÜRE	ANTİSTATİK BALL	1.4301.	1.4301. - 1.4401.
15	ANTİSTATİK YAY	ANTİSTATİK SPRING	1.4301.	1.4301. - 1.4401.
14	SOMUN	NUT	5.6.	1.4301. - 1.4401.
13	SAPLAMA	STOPPING PIM	4140 - 514t	1.4301.
12	KONTRA SOMUN	COUNTER NUT	5,6 Gal.	1.4301.
11	ÇANAK PUL	BOWL WASHER	50 Cr V 4	1.4301.
10	BASKI RİNGİ	PRESSURE RING	MS 58	1.4301. - 1.4401.
9	MİL O-RİNG	SPINDLE O-RING	VİTON	VİTON
8	BURGMAN GRAFİT O-RİNG	BURGMAN GRAPHITE O-RING	EN 1514-1	EN 1514-1
7	BOĞAZ SIZDIRMAZLIK TEFLONU	NECK TIGHTNESS ELEMENT	PTFE-Teflon	PTFE-Teflon
6	GÖVDE SIZDIRMAZLIK TEFLONU	BODY TIGHTNESS ELEMENT	PTFE-Teflon	PTFE-Teflon
5	KÜRE SIZDIRMAZLIK TEFLONU	BALL TIGHTNESS ELEMENT	PTFE-Teflon	PTFE-Teflon
4	HAREKET MİLİ	ACTION SPINDLE	1,4021	1.4301. - 1.4401.
3	KÜRE	BALL	1.4301 / 1.4086	1.4305. - 1.4401.
2	KAPAK	COVER	SAE 1020	1.4301. - 1.4401.
1	GÖVDE	BODY	SAE 1020	1.4301. - 1.4401.

 Boyut Dimensions : EN 558
 Bağlantılar Connections : EN 1092-1
 Çalışma Basıncı Working Pressure : PN 150
 Çalışma Sıcaklığı Working Temperature : -30 °C / +180 °C

 Kullanım Alanları Usege Areas :
 Su, Sıcak Su, Buhar, Basıncılı Hava
 Water, Hot Water, Steam, Pressurized Air


BOYUT ve BAĞLANTI ÖLÇÜLERİ DIMENSIONS AND CONNECTION SIZES

		PN 150										
		L	G	H	f	D	b	k	Hole Unit	I	F	Kg
DN 15	1/2"	210	150	75	2	105	20	75	4	14	45	
DN 20	3/4"	230	150	83	2	130	24	90	4	18	58	
DN 25	1"	230	180	90	2	140	24	100	4	18	65	
DN 32	1 1/4"	260	230	95	2	155	24	110	4	23	75	
DN 40	1 1/2"	260	275	115	3	170	28	125	4	23	85	
DN 50	2"	300	275	120	3	195	30	145	4	27	95	
DN 65	2 1/2"	340	320	135	3	220	34	170	8	27	120	
DN 80	3"	380	380	150	3	230	36	180	8	27	130	
DN 100	4"	430	450	170	3	265	40	210	8	30	160	
DN 125	5"	500	450	200	3	315	44	250	8	33	185	
DN 150	6"	550	650	235	3	355	50	290	12	33	215	
DN 200	8"	650	900	270	3	430	60	360	12	36	270	