

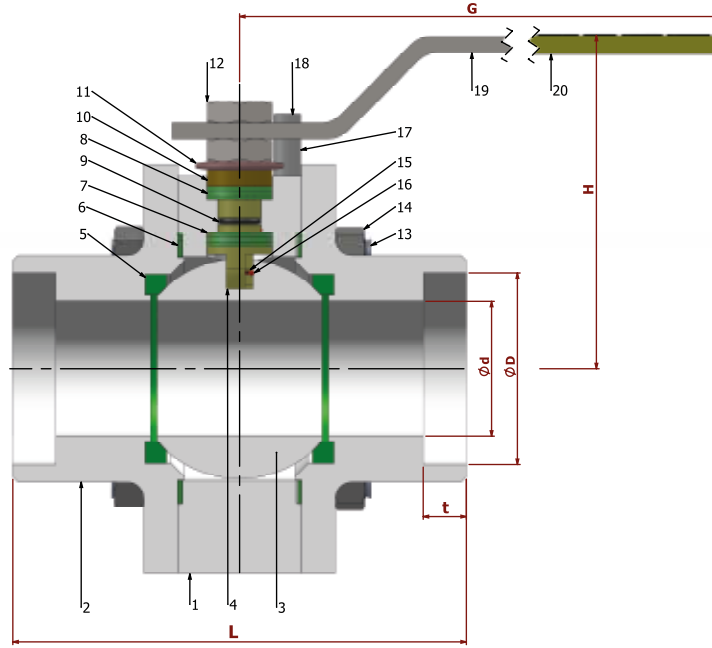
TIP TYPE
BKV-SO-RG

DN 15 - DN 100

PN 150

ÇELİK
STELL

REDÜKSİYON GEÇİŞLİ / SOKET KAYNAKLI
REDUCED BORE / SOCKET WELD



PARÇA NO ITEM NO	PARÇA ADI ITEM DISCRPTION	MALZEME MATERIAL
20	PLASTİK KAPLAMA PLASTIC COVERING	PVC PVC
19	KÜRE HAREKET KOLU BALL ACTION HANDLE	st 37 1.4301.
18	CIVATA BOLT	ST 42 Gal. 1.4301. - 1.4401.
17	STOPLAMA PİMİ STOPPING PIM	ST 42 Gal. 1.4301.
16	ANTİSTATİK KÜRE ANTISTATIC BALL	1.4301. 1.4301. - 1.4401.
15	ANTİSTATİK YAY ANTISTATIC SPRING	1.4301. 1.4301. - 1.4401.
14	SOMUN NUT	5.6. 1.4301. - 1.4401.
13	SAPLAMA STOPPING PIM	4140 - 514I 1.4301.
12	KONTRA SOMUN COUNTER NUT	5,6 Gal. 1.4301.
11	ÇANAK PUL BOWL WASHER	50 Cr V 4 1.4301.
10	BASKI RİNGİ PRESSURE RING	MS 58 1.4301. - 1.4401.
9	MİL O-RİNC SPINDLE O-RING	VİTON VİTON
8	BURGMAN GRAFİT O-RİNG BURGMAN GRAPHITE O-RING	EN 1514-1 EN 1514-1
7	BOĞAZ SIZDIRMAZLIK TEFLONU NECK TIGHTNESS ELEMENT	PTFE-Teflon PTFE-Teflon
6	GÖVDE SIZDIRMAZLIK TEFLONU BODY TIGHTNESS ELEMENT	PTFE-Teflon PTFE-Teflon
5	KÜRE SIZDIRMAZLIK TEFLONU BALL TIGHTNESS ELEMENT	PTFE-Teflon PTFE-Teflon
4	HAREKET MİLİ ACTION SPINDLE	1,4021 1.4301. - 1.4401.
3	KÜRE BALL	1.4301 / 1.4086 1.4305. - 1.4401.
2	KAPAK COVER	SAE 1020 1.4301. - 1.4401.
1	GÖVDE BODY	SAE 1020 1.4301. - 1.4401.

Boyut	Dimensions	: TS EN 12982 ASME B 16.10
Bağlantılar	Connections	: ASME B 16.11
Çalışma Basıncı	Working Pressure	: PN 150
Çalışma Sıcaklığı	Working Temperature	: -30 °C / +180 °C

Kullanım Alanları Usege Areas :
Su, Sıcak Su, Buhar, Basıncılı Hava
Water, Hot Water, Steam, Pressurized Air



BOYUT ve BAĞLANTI ÖLÇÜLERİ DIMENSIONS AND CONNECTION SIZES

		PN 150						
		L	G	H	d	D	t	Kg
DN 15	1/2"	216	150	75	12	21,8	10,0	
DN 20	3/4"	229	150	75	15	27,4	13,0	
DN 25	1"	254	150	83	20	34,1	13,0	
DN 32	1 1/4"	279	180	90	25	42,8	13,0	
DN 40	1 1/2"	305	230	95	32	48,8	16,0	
DN 50	2"	368	275	115	40	61,8	16,0	
DN 65	2 1/2"	419	275	120	50	77,0	16,0	
DN 80	3"	381	320	135	65	90,0	16,0	
DN 100	4"	457	380	150	80	115,4	20,0	