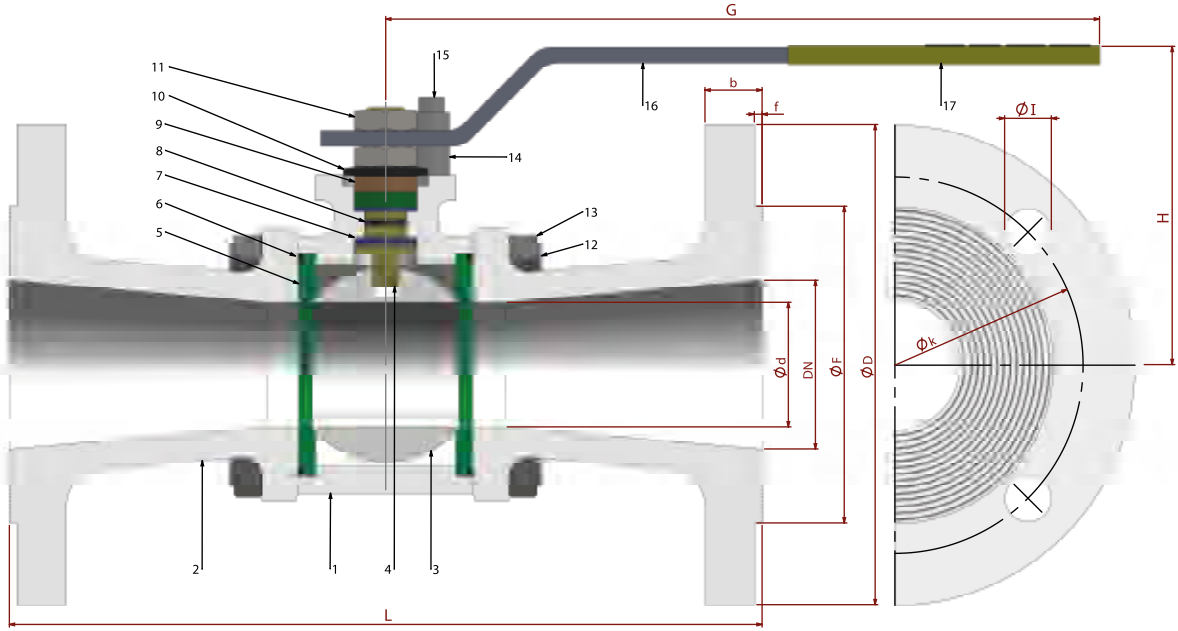


TIP TYPE  
BKV-FL-RG

DN 15 - DN 200

PN 16

 PİK DÖKÜM  
CAST IRON

 REDÜKSİYON GEÇİŞLİ / FLANŞLI  
REDUCED BORE / FLANGED


| PARÇA NO<br>ITEM NO | PARÇA ADI<br>ITEM DISCRPTION                         | MALZEME<br>MATERIAL |
|---------------------|--|---------------------|
| 17                  | PLASTİK KAPLAMA<br>PLASTIC COVERING                  | PVC                 |
| 16                  | KÜRE HAREKET KOLU<br>BALL ACTION HANDLE              | st 37               |
| 15                  | CIVATA<br>BOLT                                       | ST 42 Gal.          |
| 14                  | STOPLAMA PİMİ<br>STOPPING PIM                        | ST 42 Gal.          |
| 13                  | SOMUN<br>NUT   | 5.6.                |
| 12                  | ŞAPLAMA<br>STOPPING PIM                              | CK 35 / CK 45       |
| 11                  | KONTRA SOMUN<br>COUNTER NUT                          | 5,6 Gal.            |
| 10                  | ÇANAK PUL<br>BOWL WASHER                             | 50 Cr V 4           |
| 9                   | BASKI RİNGİ<br>PRESSURE RING                         | MS 58               |
| 8                   | MİL O-RİNG<br>SPINDLE O-RING                         | VITON               |
| 7                   | BOĞAZ SIZDIRMAZLIK TEFLONU<br>NECK TIGHTNESS ELEMENT | PTFE-Teflon         |
| 6                   | GÖVDE O-RİNG<br>BODY O-RING                          | VITON               |
| 5                   | KÜRE SIZDIRMAZLIK TEFLONU<br>BALL TIGHTNESS ELEMENT  | PTFE-Teflon         |
| 4                   | HAREKET MİLİ<br>ACTION SPINDLE                       | 1,4021              |
| 3                   | KÜRE<br>BALL   | 1.4301 / 1.4086     |
| 2                   | KAPAK<br>COVER                                       | GG 25               |
| 1                   | GÖVDE<br>BODY  | GG 25               |

Boyut Dimensions : TS 3148 / EN 558  
 Bağlantılar Connections : EN 1092-2  
 Çalışma Basıncı Working Pressure : PN 16  
 Çalışma Sıcaklığı Working Temperature : -10 °C / +180 °C

Kullanım Alanları Usege Areas :  
 Su, Sıcak Su, Buhar, Basıncılı Hava  
 Water, Hot Water, Steam, Pressurized Air


**BOYUT ve BAĞLANTI ÖLÇÜLERİ DIMENSIONS AND CONNECTION SIZES**

|        |        | PN 16 |     |     |   |     |     |    |     |           |    |     |    |
|--------|--------|-------|-----|-----|---|-----|-----|----|-----|-----------|----|-----|----|
|        |        | L     | G   | H   | f | d   | D   | b  | k   | Hole Unit | I  | F   | Kg |
| DN 15  | 1/2"   | 130   | 150 | 75  | 2 | 12  | 95  | 14 | 65  | 4         | 14 | 45  |    |
| DN 20  | 3/4"   | 150   | 150 | 83  | 2 | 15  | 105 | 16 | 75  | 4         | 14 | 58  |    |
| DN 25  | 1"     | 160   | 150 | 83  | 2 | 20  | 115 | 16 | 85  | 4         | 14 | 68  |    |
| DN 32  | 1 1/4" | 180   | 180 | 90  | 2 | 25  | 140 | 18 | 100 | 4         | 19 | 78  |    |
| DN 40  | 1 1/2" | 200   | 230 | 95  | 3 | 32  | 150 | 18 | 110 | 4         | 19 | 88  |    |
| DN 50  | 2"     | 230   | 275 | 115 | 3 | 40  | 165 | 20 | 125 | 4         | 19 | 102 |    |
| DN 65  | 2 1/2" | 290   | 275 | 120 | 3 | 50  | 185 | 20 | 145 | 4         | 19 | 122 |    |
| DN 80  | 3"     | 310   | 320 | 135 | 3 | 65  | 200 | 22 | 160 | 8         | 19 | 138 |    |
| DN 100 | 4"     | 350   | 380 | 150 | 3 | 80  | 220 | 24 | 180 | 8         | 19 | 158 |    |
| DN 125 | 5"     | 400   | 450 | 170 | 3 | 100 | 250 | 26 | 210 | 8         | 19 | 188 |    |
| DN 150 | 6"     | 450   | 450 | 200 | 3 | 125 | 285 | 26 | 240 | 8         | 23 | 212 |    |
| DN 200 | 8"     | 550   | 650 | 235 | 3 | 150 | 340 | 30 | 295 | 12        | 23 | 268 |    |