

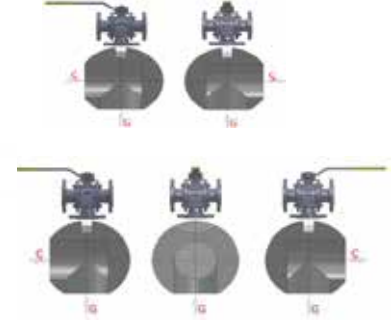
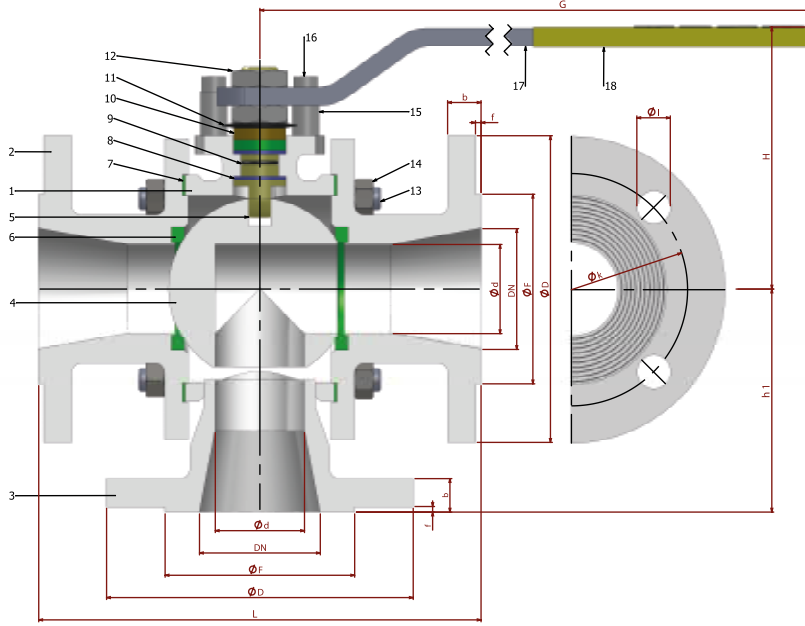
TİP TYPE
BKV.3L-FL-RG

DN 15 - DN 250

PN 16 - PN 40

ÇELİK
STELL

REDÜKSİYON GEÇİŞLİ / FLANŞLI
REDUCED BORE / FLANGED



PARÇA NO ITEM NO	PARÇA ADI ITEM DISCRPTION	MALZEME MATERIAL
18	PLASTİK KAPLAMA PLASTIC COVERING	PVC
17	KÜRE HAREKET KOLU BALL ACTION HANDLE	st 37 1.4301.
16	CIVATA BOLT	ST 42 Gal. 1.4301. - 1.4401.
15	STOPLAMA PİMİ STOPPING PIM	ST 42 Gal. 1.4301.
14	SOMUN NUT	5.6. 1.4301. - 1.4401.
13	SAPLAMA STOPPING PIM	CK 35 / CK 45 1.4301.
12	KONTRA SOMUN COUNTER NUT	5,6 Gal. 1.4301.
11	ÇANAK PUL BOWL WASHER	50 Cr V 4 1.4301.
10	BASKI RİNGİ PRESSURE RING	MS 58 1.4301. - 1.4401.
9	MİL O-RİNG SPINDLE O-RING	VİTON VİTON
8	BOĞAZ SIZDIRMAZLIK TEFLONU NECK TIGHTNESS ELEMENT	PTFE-Teflon PTFE-Teflon
7	GÖVDE SIZDIRMAZLIK TEFLONU BODY TIGHTNESS ELEMENT	PTFE-Teflon PTFE-Teflon
6	KÜRE SIZDIRMAZLIK TEFLONU BALL TIGHTNESS ELEMENT	PTFE-Teflon PTFE-Teflon
5	HAREKET MİLİ ACTION SPINDLE	1.4021 1.4301. - 1.4401.
4	KÜRE BALL	1.4301 / 1.4086 1.4305. - 1.4401.
3	3 YOL KAPAK COVER 3 WAY	st 37-2 1.4301. - 1.4401.
2	KAPAK COVER	st 37-2 1.4301. - 1.4401.
1	GÖVDE BODY	A 216 WCB 1.4301. - 1.4401.

Boyut : EN 558
Bağlantılar : EN 1092 - 1
Çalışma Basıncı : PN 16 - 40
Çalışma Sıcaklığı : -30 °C / +180 °C

Kullanım Alanları :
Su, Sıcak Su, Buhar, Basıncılı Hava
Water, Hot Water, Steam, Pressurized Air



BOYUT ve BAĞLANTI ÖLÇÜLERİ DIMENSIONS AND CONNECTION SIZES

	L	G	H	h1	f	d	PN 16							PN 40						
							D	b	k	Hole Unit	I	F	Kg	D	b	k	Hole Unit	I	F	Kg
DN 15 1/2"	130	150	75	65	2	12	95	14	65	4	14	45	--	95	16	65	4	14	45	--
DN 20 3/4"	150	180	90	75	2	15	105	16	75	4	14	58	--	105	18	75	4	14	58	--
DN 25 1"	160	230	95	80	2	20	115	16	85	4	14	68	--	115	18	85	4	14	68	--
DN 32 1 1/4"	180	275	115	90	2	25	140	16	100	4	18	78	--	140	18	100	4	18	78	--
DN 40 1 1/2"	200	275	120	100	3	32	150	16	110	4	18	88	--	150	18	110	4	18	88	--
DN 50 2"	230	320	135	115	3	40	165	18	125	4	18	102	--	165	20	125	4	18	102	--
DN 65 2 1/2"	290	380	150	145	3	50	185	18	145	4	18	122	--	185	22	145	8	18	122	--
DN 80 3"	310	450	170	170	3	65	200	20	160	8	18	138	--	200	24	160	8	18	138	--
DN 100 4"	350	450	200	175	3	80	220	20	180	8	18	158	--	235	24	190	8	22	162	--
DN 125 5"	400	650	235	200	3	100	250	22	210	8	18	188	--	270	26	220	8	26	188	--
DN 150 6"	450	900	270	270	3	125	285	22	240	8	22	212	--	300	28	250	8	26	218	--
DN 200 8"	550	1100	330	330	3	150	340	24	295	12	22	268	--	375	34	320	12	30	285	--
DN 250 10"	650	1100	330	375	3	200	405	26	355	12	26	320	--	450	38	385	12	30	345	--