

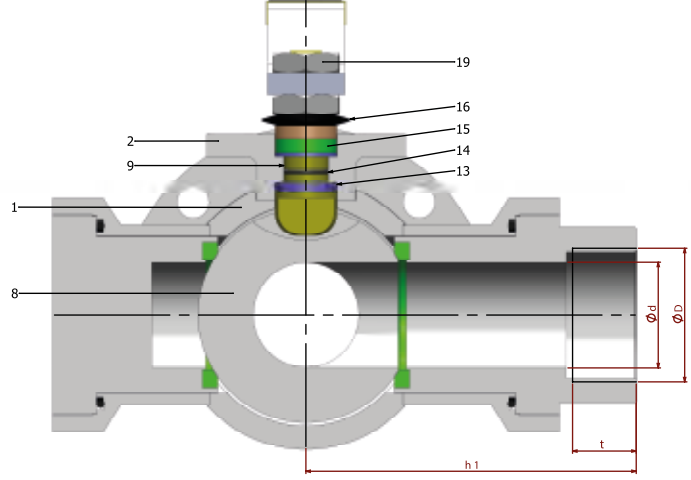
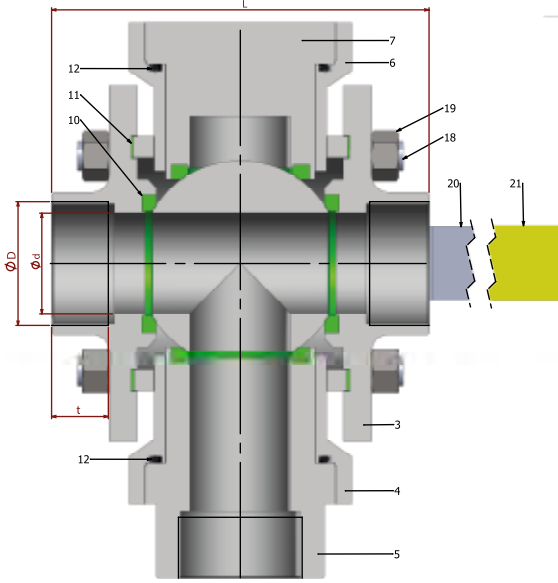
TİP TYPE
BKV.3T-Dİ-RG

R 1/2" - R 4"

PN 16 - PN 40

ÇELİK
STELL

REDÜKSİYON GEÇİŞLİ / DIŞLI
REDUCED BORE / THREADED



PARÇA NO ITEM NO	PARÇA ADI ITEM DISCRPTION	MALZEME MATERIAL		
21	PLASTİK KAPLAMA PLASTIC COVERING	PVC	PVC	
20	KÜRE HAREKET KOLU BALL ACTION HANDLE	st 37	1.4301.	
19	SOMUN NUT	5.6.	1.4301. - 1.4401.	
18	SAPLAMA STOPPING PIM	CK 35 / CK 45	1.4301.	
17	KONTRA SOMUN COUNTER NUT	5.6 Gal.	1.4301.	
16	ÇANAK PUL BOWL WASHER	50 Cr V 4	1.4301.	
15	BASKI RİNGİ PRESSURE RING	MS 58	1.4301. - 1.4401.	
14	MİL O-RİNG SPINDLE O-RING	VİTON	VİTON	
13	BOĞAZ SIZDIRMAZLIK TEFLONU NECK TIGHTNESS ELEMENT	PTFE-Teflon	PTFE-Teflon	
12	3 YOL O-RİNG 3 YOL O-RING	VİTON	VİTON	
11	GÖVDE SIZDIRMAZLIK TEFLONU BODY TIGHTNESS ELEMENT	PTFE-Teflon	PTFE-Teflon	
10	KÜRE SIZDIRMAZLIK TEFLONU BALL TIGHTNESS ELEMENT	PTFE-Teflon	PTFE-Teflon	
9	HAREKET MİLİ ACTION SPINDLE	1.4021	1.4301. - 1.4401.	
8	KÜRE BALL	1.4301 / 1.4086	1.4305. - 1.4401.	
7	KÖR YATAK st 37-2	1.4301. - 1.4401.		
6	KÖR KAPAK st 37-2	1.4301. - 1.4401.		
5	3 YOL YATAK st 37-2	1.4301. - 1.4401.		
4	3 YOL KAPAK COVER 3 WAY	st 37-2	1.4301. - 1.4401.	
3	KAPAK COVER	st 37-2	1.4301. - 1.4401.	
2	BOĞAZ NECK	St 37-2	1.4301. - 1.4401.	
1	GÖVDE BODY	St 44	1.4301. - 1.4401.	

Boyut Dimensions : BATUSAN ÖZEL
Bağlantılar Connections : EN 10226-1
Çalışma Basıncı Working Pressure : PN 16 - 40
Çalışma Sıcaklığı Working Temperature : -30 °C / +180 °C

Kullanım Alanları Usege Areas :
Su, Sıcak Su, Buhar, Basıncılı Hava
Water, Hot Water, Steam, Pressurized Air



BOYUT ve BAĞLANTI ÖLÇÜLERİ DIMENSIONS AND CONNECTION SIZES

		PN 16 - PN 40						PN 16	PN 40	
		L	G	H	h1	d	D	t	Kg	Kg
DN 15	1/2"	100	150	75	90	12	1/2"	14	--	--
DN 20	3/4"	100	150	83	100	15	3/4"	17	--	--
DN 25	1"	115	180	90	105	20	1"	20	--	--
DN 32	1 1/4"	130	230	95	110	25	1 1/4"	22	--	--
DN 40	1 1/2"	145	275	115	120	32	1 1/2"	25	--	--
DN 50	2"	160	275	120	135	40	2"	28	--	--
DN 65	2 1/2"	180	320	135	160	50	2 1/2"	32	--	--
DN 80	3"	200	380	135	170	65	3"	35	--	--
DN 100	4"	225	450	170	185	80	4"	40	--	--