

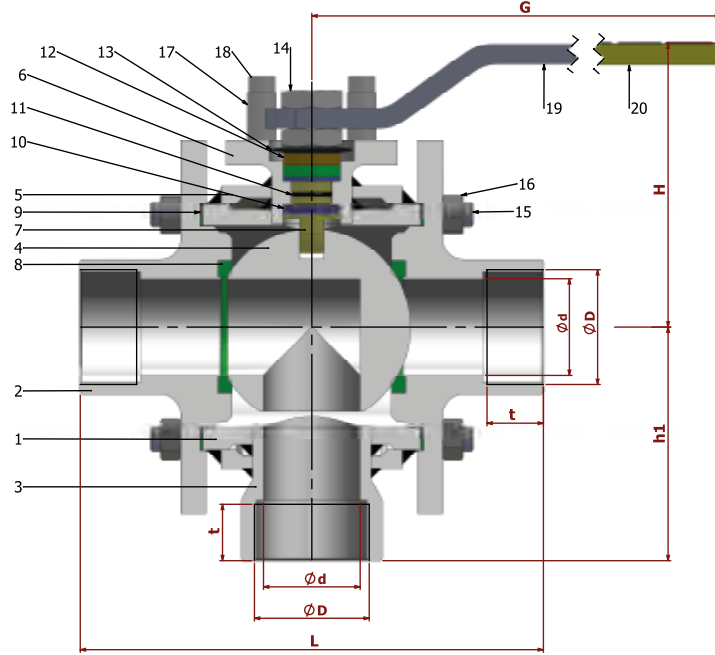
TİP TYPE
BKV.3L-CEK-Dİ-TG

R 1/2" - R 4"

PN 16 - PN 40

ÇELİK
STELL

TAM GEÇİŞLİ / DİŞLİ
FULL BORE / THREADED



PARÇA NO ITEM NO	PARÇA ADI ITEM DISCRPTION	MALZEME MATERIAL	
20	PLASTİK KAPLAMA PLASTIC COVERING	PVC	PVC
19	KÜRE HAREKET KOLU BALL ACTION HANDLE	st 37	1.4301.
18	CİVATA BOLT	ST 42 Gal.	1.4301.- 1.4401.
17	STOPLAMA PİMİ STOPPING PIM	ST 42 Gal.	1.4301.
16	SOMUN NUT	5,6	1.4301.- 1.4401.
15	SAPLAMA STOPPING PIM	CK 35 / CK 45	1.4301.
14	KONTRA SOMUN COUNTER NUT	5,6 Gal.	1.4301.
13	ÇANAK PUL BOWL WASHER	50 Cr V 4	1.4301.
12	BASKI RİNGİ PRESSURE RING	MS 58	1.4301.- 1.4401.
11	MİL O-RİNG SPINDLE O-RING	VİTON	VİTON
10	BOĞAZ SIZDIRMAZLIK TEFLONU NECK TIGHTNESS ELEMENT	PTFE-Teflon	PTFE-Teflon
9	GÖVDE SIZDIRMAZLIK TEFLONU BODY TIGHTNESS ELEMENT	PTFE-Teflon	PTFE-Teflon
8	KÜRE SIZDIRMAZLIK TEFLONU BALL TIGHTNESS ELEMENT	PTFE-Teflon	PTFE-Teflon
7	HAREKET MİLİ ACTION SPINDLE	1,4021	1.4301.- 1.4401.
6	BOĞAZ NECK	St 37-2	1.4301.- 1.4401.
5	CEKET JACKET	St 44	1.4301.- 1.4401.
4	KÜRE BALL	1.4301 / 1.4086	1.4305.- 1.4401.
3	3 YOL KAPAK COVER 3 WAY	St 37-2	1.4301.- 1.4401.
2	KAPAK COVER	St 37-2	1.4301.- 1.4401.
1	GÖVDE BODY	A 216 WCB	1.4301.- 1.4401.

Boyut Dimensions : BATUSAN ÖZEL
Bağlantılar Connections : EN 10226-1
Çalışma Basıncı Working Pressure : PN 16 - 40
Çalışma Sıcaklığı Working Temperature : +180 °C

Kullanım Alanları Usege Areas :
Asfalt, Gıda ve Kimya Sanayii
Asphalt, Good ang Chemical Ind.



BOYUT ve BAĞLANTI ÖLÇÜLERİ DIMENSIONS AND CONNECTION SIZES

		PN 16 - PN 40							PN 16	PN 40
		L	G	H	h1	d	D	t	Kg	Kg
DN 15	1/2"	80	150	83	55	15	1/2"	14	--	--
DN 20	3/4"	90	180	90	60	20	3/4"	17	--	--
DN 25	1"	115	230	95	70	25	1"	20	--	--
DN 32	1 1/4"	120	275	119	90	32	1 1/4"	22	--	--
DN 40	1 1/2"	135	275	120	100	40	1 1/2"	25	--	--
DN 50	2"	160	320	135	120	50	2"	28	--	--
DN 65	2 1/2"	185	380	150	135	65	2 1/2"	32	--	--
DN 80	3"	210	450	170	160	80	3"	35	--	--
DN 100	4"	275	450	200	175	100	4"	40	--	--