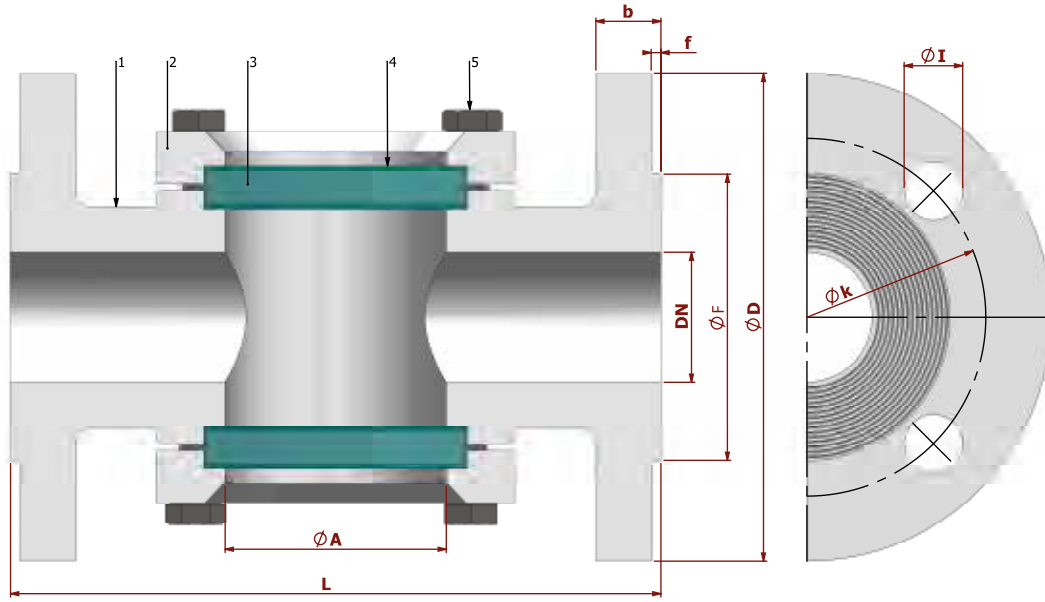


TİP TYPE  
BAG - FL

DN 15 - DN 300

PN 16 / 40

ÇİFT CAMLI / FLANŞLI  
DOUBLE GLASS / FLANGED



PARÇA NO ITEM NO	PARÇA ADI ITEM DISCRPTION	MALZEME MATERIAL			
		8.8.	8.8.	1.4301.	
5	CİVATA BOLT				
4	CAM SIZDIRMAZLIK TEFLONU GLASS TIGHTNESS ELEMENT	PTFE	PTFE	PTFE	
3	CAM GLASS	Tem. Glass	DIN 7080	DIN 7080	
2	KAPAK COVER	GG 25	GS C 25	1.4301. - 1.4401.	
1	GÖVDE BODY	GG 25	GS C 25	1.4301. - 1.4401.	

Boyut : EN 558  
Bağlantılar : EN 1092 - 1 / 2  
Çalışma Basıncı : PN 16 - 40  
Çalışma Sıcaklığı : Working Temperature : -10 °C / +180 °C

Kullanım Alanları : Usege Areas :  
Su, Gıda, Kimya, Hava ve Diğer Gazlar  
Water, Foodstuffs, Chemistry, Air and Other Gases etc.



### BOYUT ve BAĞLANTI ÖLÇÜLERİ DIMENSIONS AND CONNECTION SIZES

		L	f	PN 16								PN 40							
				D	b	k	Hole Unit	I	F	A	Kg	D	b	k	Hole Unit	I	F	A	Kg
DN 15	1/2"	130	2	95	14	65	4	14	45	40	3,5	95	16	65	4	14	45	34	--
DN 20	3/4"	150	2	105	16	75	4	14	58	40	4,2	105	18	75	4	14	58	34	--
DN 25	1"	160	2	115	16	85	4	14	68	48	5,6	115	18	85	4	14	68	44	--
DN 32	1 1/4"	180	2	140	16	100	4	18	78	67	9,5	140	18	100	4	18	78	60	--
DN 40	1 1/2"	200	3	150	16	110	4	18	88	68	14,2	150	18	110	4	18	88	60	--
DN 50	2"	230	3	165	18	125	4	18	102	85	16,0	165	20	125	4	18	102	80	--
DN 65	2 1/2"	290	3	185	18	145	4	18	122	100	15,0	185	22	145	8	18	122	80	--
DN 80	3"	310	3	200	20	160	8	18	138	100	19,0	200	24	160	8	18	138	95	--
DN 100	4"	350	3	220	20	180	8	18	158	125	33,0	235	24	190	8	22	162	95	--
DN 125	5"	400	3	250	22	210	8	18	188	125	41,0	270	26	220	8	26	188	95	--
DN 150	6"	350	3	285	22	240	8	22	212	125	56,5	300	28	250	8	26	218	95	--
DN 200	8"	400	3	340	24	295	12	22	268	150	83,5	375	34	320	12	30	285	95	--
DN 250	10"	650	3	405	32	355	12	26	320	150	195,0	450	38	385	12	30	345	95	--
DN 300	12"	750	4	460	34	410	12	#	378	150	--	515	42	450	16	33	410	95	--